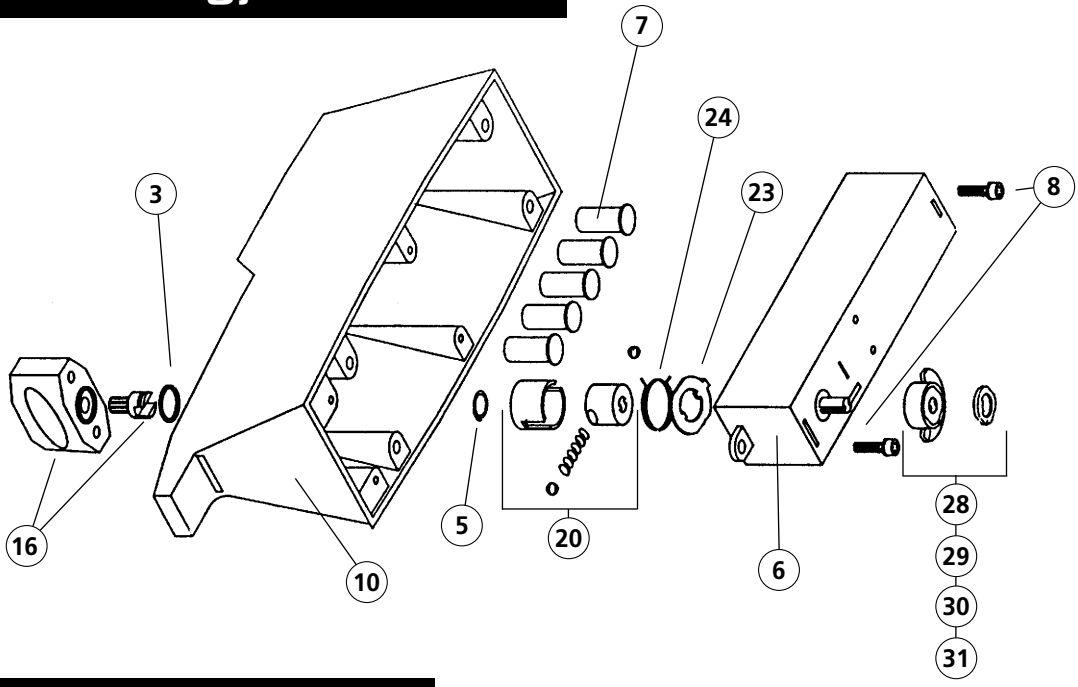


Commercial & Residential Locks

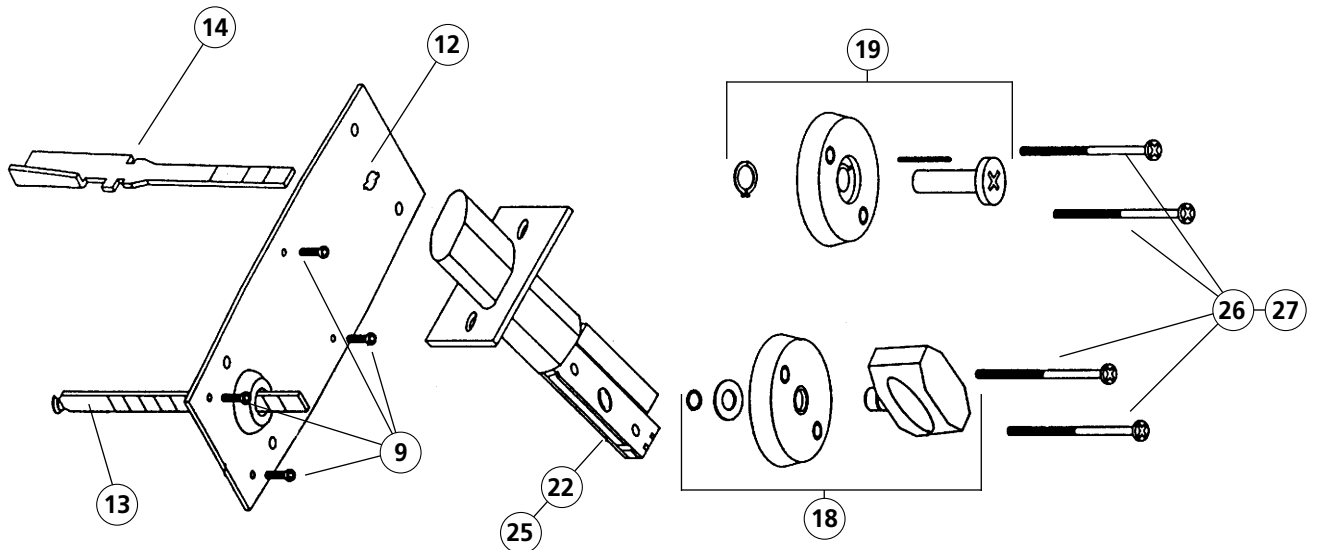
7000 Series Exploded View



Front Housing, All Models



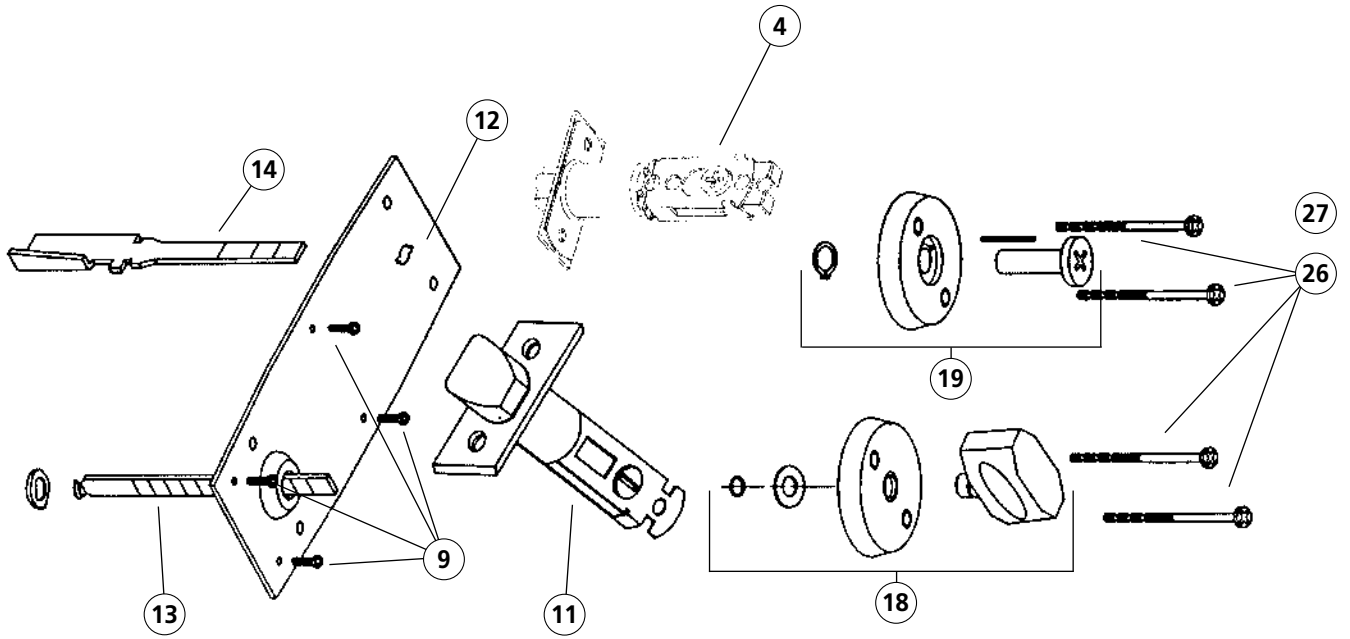
Interior: 7002, 7008



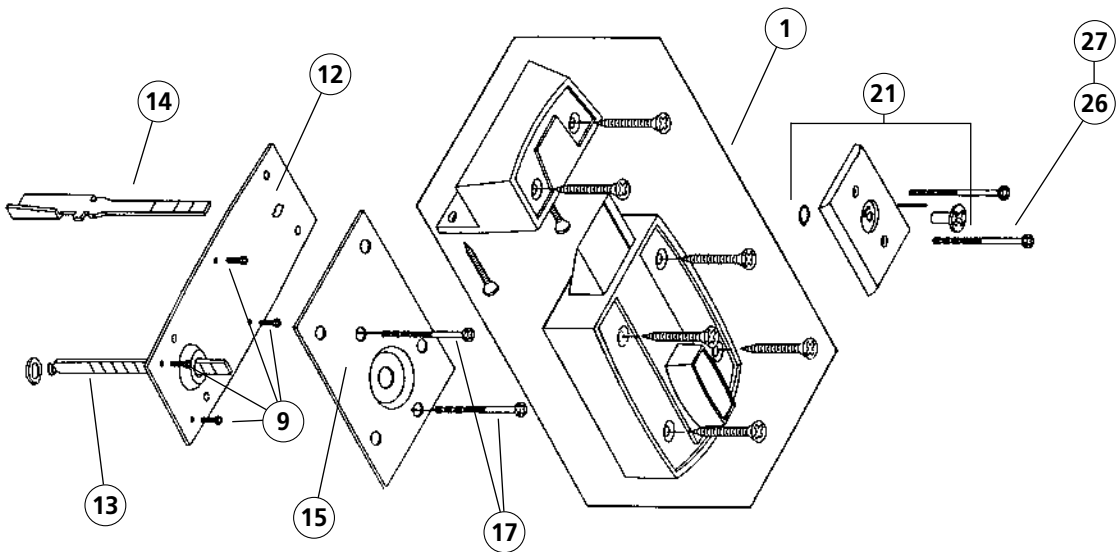
Commercial & Residential Locks

7000 Series Exploded View

Interior: 7004 / 7014




Interior: 7006



Commercial & Residential Locks

7000 Series Replacement Parts







Exploded View Drawing
on pages 50-51






	<p>Rim Deadlocking Latch 2$\frac{3}{8}$" (60 mm) backset – 7006 only 4027-509-19-41</p>		<p>7004 Latch Assembly 2$\frac{3}{4}$" (70 mm) backset 202003-03-01 202003-26D-01</p>
	<p>Trim Plate to cover 2$\frac{1}{8}$" (54 mm) bores (Not Shown on Exploded View) 24380-03-01 24380-AC-01 24380-19-01 24380-AW-01 24380-26D-01 24380-GV-01 24380-SV-01</p>		<p>Back Plate 202004-000-01</p>
	<p>Wave Spring Washer (For front knob assembly) 54246-000-10</p>		<p>Tailpiece (For Latch / Deadbolt) 202007-000-01</p>
	<p>7014 Latch Bolt Assembly Adjustable 2$\frac{3}{8}$" (70 mm) & 2$\frac{1}{2}$" (60 mm) backset 54444-03-01 54444-26D-01</p>		<p>Tailpiece (For Combination Change) 202011-000-01</p>
	<p>Retainer Ring 55080-000-05</p>		<p>7006 Rim Deadlocking Latch Inside Back Plate 202012-000-01</p>
	<p>Combination Chamber (M-71) Common (For all 7000 Series locks) (old # 202056) 74660-000-01</p>		<p>Outside Turn Knob Assembly 202014-03-01 202014-26D-01 202014-AW-01 202014-GV-01 202014-SV-01</p>
	<p>Pushbuttons 200024-106-10 – Black 200024-109-10 – Silver</p>		<p>Connecting Bolt Pan Head Screws (For 7006) 202021-000-01</p>
	<p>Screw Thread forming 6 - 32 UNC x $\frac{5}{16}$" (8 mm) pan head (For combination chamber) 201954-000-10</p>		<p>Inside Turn Knob and Rose Assembly For Models 7002, 7004, 7008 and 7014. 202025-03-01 202025-AC-01 202025-26D-01 202025-AW-01 202025-GV-01 202025-SV-01</p>
	<p>Screw Thread forming 6 - 32 UNC x $\frac{3}{8}$" flat head (For Back Plate) 201955-000-10</p>		<p>Inside Combination Change Assembly For Models 7002, 7004, 7008 and 7014. 202026-03-01 202026-AC-01 202026-26D-01 202026-AW-01 202026-GV-01 202026-SV-01</p>
	<p>Front Lock Housing 202002-03-01 202002-AC-01 202002-19-01 202002-AW-01 202002-26D-01 202002-GV-01 202002-SV-01</p>		<p>Force Proof Clutch Assembly 202027-000-01</p>

Commercial & Residential Locks

7000 Series Replacement Parts

Exploded View Drawing
on pages 50-51

	<p>7006 Combination Change Assembly 202028-19-01</p>
	<p>7002 Deadbolt Assembly 2³/₄" (70 mm) backset 202052-03-01 202052-26D-01</p>
	<p>Spring Lever 202054-000-01</p>
	<p>Knob Return Spring 202055-000-01</p>
	<p>7008 Deadbolt Assembly 2³/₈" (60 mm) backset 202064-03-01 202064-26D-01</p>
	<p>Connecting Bolts - Flat Head Phillips Screws. (For 1³/₈" to 1⁷/₈" doors) 202072-03-04 202072-26D-04</p>

	<p>Connecting Bolts - Flat Head Phillips Screws. (For 2" to 2¹/₄" doors) 202073-03-04 202073-26D-04</p>
	<p>Cam Assembly (For 7006 - "C" Up) 202077-000-01</p>
	<p>Cam Assembly (For 7004 - "C" Down) 202078-000-01</p>
	<p>Cam Assembly (For 7002/7008 - "D" Up) 202079-000-01</p>
	<p>Cam Assembly (For 7014 - "D" Down) 202080-000-01</p>