



Genesis Series

[Documents](#) [Part Numbers and Descriptions](#)

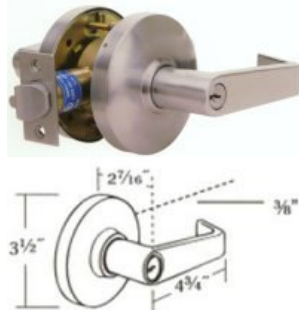
[Comparison Chart](#) [Classroom Intruder Cylindrical Lock](#)

[Print Catalog Page](#)



ANSI Grade 1

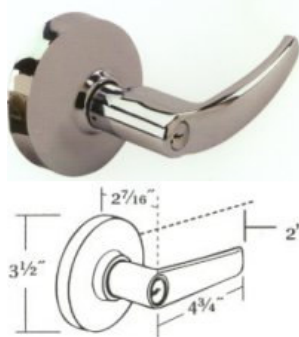
UL Listed 3 Hours, UL10C, UBC 7-2-1997



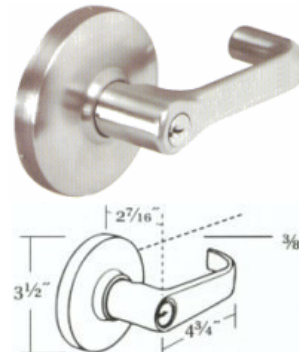
GN Design
(Patented) Clutch Freewheeling



SPA Design



AT Design



TUB Design



Extra Heavy Duty Cylindrical Lever Sets (Clutch Style)

• Available with Interchangeable Core for Best, Falcon, Arrow

• Available with Interchangeable Core for Schlage Full Size Format OEM Cylinders.

Clutch - Free turning handle in the locked position, without retracting the latch, to deter breaking of the handle.

Specifications:

- **General Specifications** - Featuring CLUTCH System, free turning handle to deter breaking of the handle. Full length 4-3/4" lever handle with 3/8" return on GN and SPA Design. Rose diameter 3-1/2". Key removable outside lever for fast rekeying. Non-handed levers. Concealed mounting screws.
- **ANSI Standards** - Meets or exceeds of BHMA/ANSI A 156.2 Series 4000, grade 1 requirements.
- **Cylinders & Keyways** - 6 pin solid brass "C" keyway standard. Schlage C-K, Russwin D1, L4, Corbin 60, Sargent LA, Falcon/Weiser E, Arrow, Yale GA, Kwikset. Can also accept Medeco, Assa, and Kaba High Security Cylinders.
- **Interchangeable Core** - Interchangeable core locks will accept compatible 6 or 7 pin cores with BEST, FALCON and ARROW. Add "IC" before part number. Interchangeable core locks will accept schlage full size format OEM cylinder. For SCHLAGE format, replace ICCGN with ICGYS.
- **Housing** - Cold rolled steel and zinc dechromate finish for rust resistance with precision cast steel retractor. 2-1/8" diameter bore.
- **Trim** - Thru-bolted assembly through door with separate spring cage for each lever. Matching design to SL Series Grade 2 levers.
- **How to Order** - When ordering "AT" & "SPA" designs. Example: CGN-00 entrance in "AT" design is CAT-00.
- **Latch Options** - "UL" listed for 3 hour fire labeled doors. 2-3/4" backset standard, brass with 1/2" throw. 2-3/8" backset optional. GND-750 deadlatch reversible for flat and beveled door. 3/4" throw anti-friction deadlatch for pair of fire doors.
- **Door Range** - 1-3/8" to 1-3/4" thickness. 2" to 2 - 1/4" thickness also available on request.
- **Strikes** - ASA 1-1/4" x 4-7/8" standard. Other strikes available upon request.
- **Electrified Locks** - Available upon request.
- **Tactile & Lead Lining** - Available upon

• **Packaging Includes:**

- UL Listed 2 3/4" backset, 2 1/4" x 1 1/8" faceplate
- Standard "C", 6 pin cylinder
- ASA Strike

request.

- Meets ADA requirements. Specially designed for Barrier Free Application Conforms with ANSI A156.2 Series 4000, Grade-1. Meets A117.1 Accessibility Code.

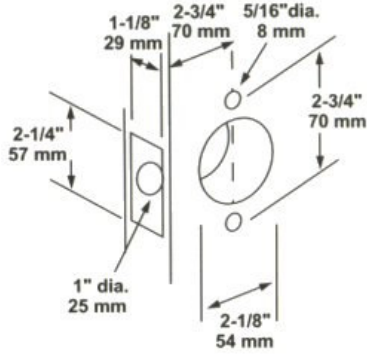


Finishes Available:

BHMA SYMBOL	SYMBOL	DESCRIPTION
605	US3	Polished Brass
612	US10	Satin Bronze
613	US10B	Oil Rubbed Bronze
625	US26	Polished Chrome
626	US26D	Satin Chrome
606	US4	Satin Brass

Other finishes available with lead time.

Door Preparation



Functions:

- CGN-00: Entrance / Office lock*
- CTN-101: Dormitory
- GN-02: Store lock
- CGN-03: Classroom*
- GN-04: Communicating
- CGN-05: Storeroom*
- GN-09: Institution
- CGN-88: Patio
- CGN-20: Privacy
- GN-30: Passage
- GN-40: Dummy
- Other functions available upon request.

*Indicates available with interchangeable core