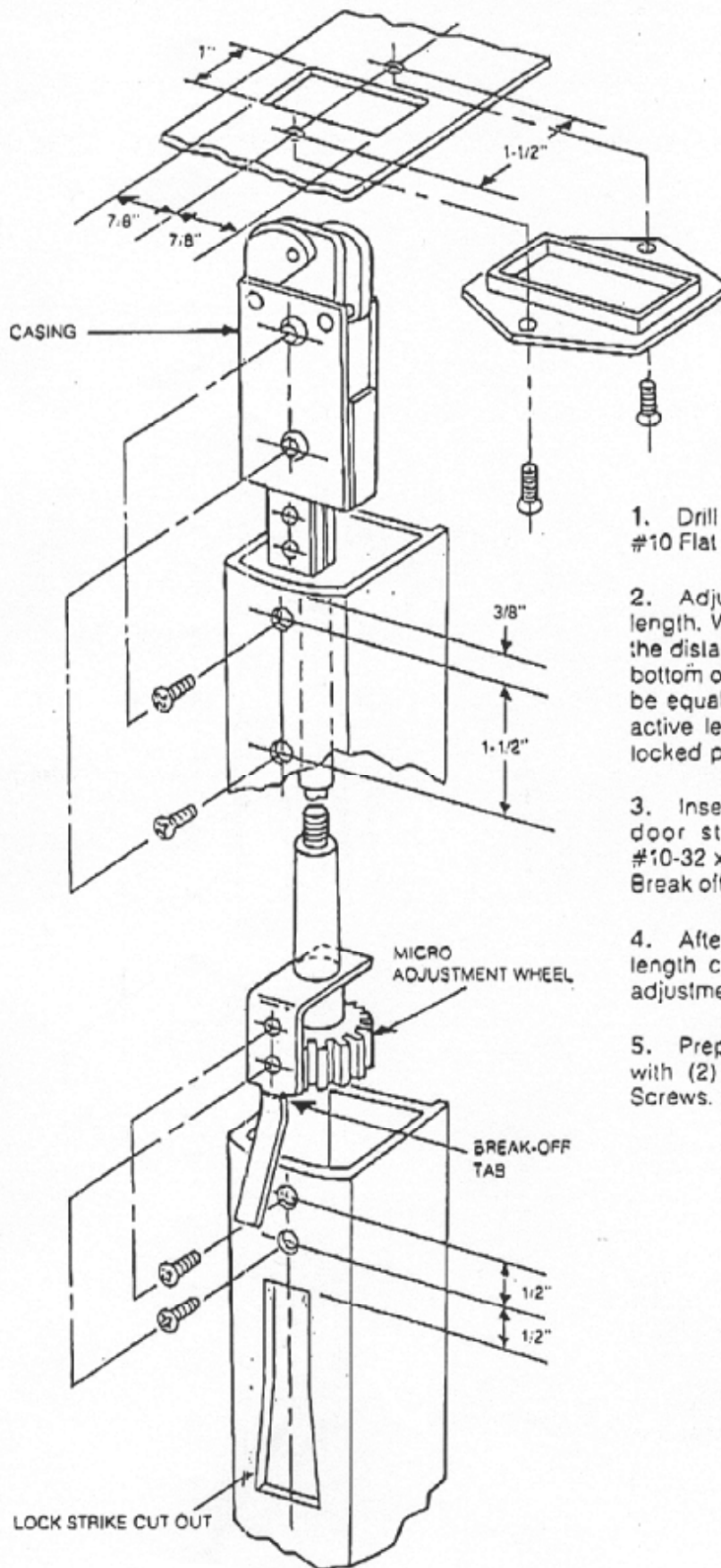


Header Bolt

INSTALLATION INSTRUCTIONS

(For use with DT-1850 Type Lock)



1. Drill and countersink edge of door for (4) #10 Flat Head Machine Screws as shown.

2. Adjust the roll assembly for proper length. With the Header Bolt fully extended, the distance from the top of the casing to the bottom of the micro adjustment wheel should be equal to the distance from the top of the active leaf to the top of the lock bolt in the locked position.

3. Insert the Assembly through the top of door stile. Fasten Assembly with (4) #10-32 x 5/16" Flat Head Machine Screws. Break off tab after Assembly is secured.

4. After installation, minor adjustment for length can be made by turning the micro adjustment wheel.

5. Prepare Header as shown. Install Strike with (2) #6-32 x 3/8" Flat Head Machine Screws.