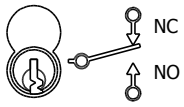
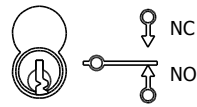


Key & Switch Positions



Key pos. 1 - Swt. pos. 1

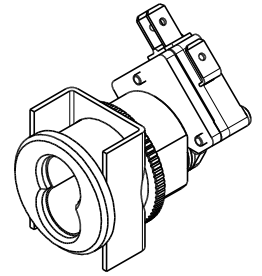


Key pos. 2 - Swt. pos. 2
(360° CCW)

Remove Key



Key pos. 1 and 2
Swt. pos. 1 and 2



CONTACT RATING

15A 125vac, 15A 250vac
Resistive

SWITCH TYPE

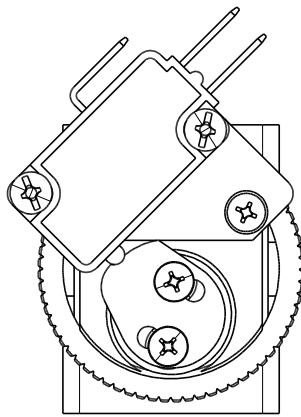
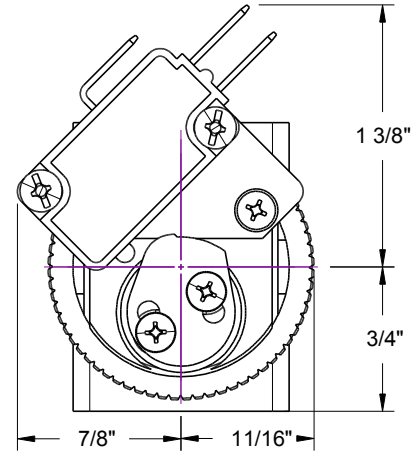
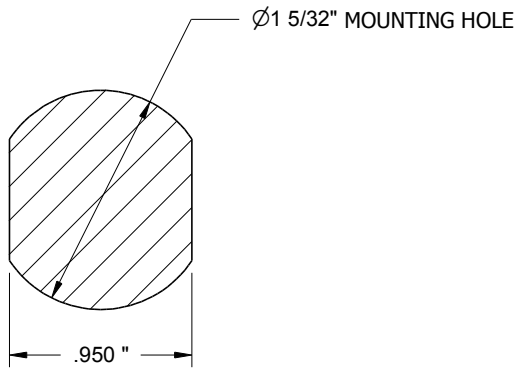
B2-SPDT
(Single pole - Double Throw)

SWITCH ACTION

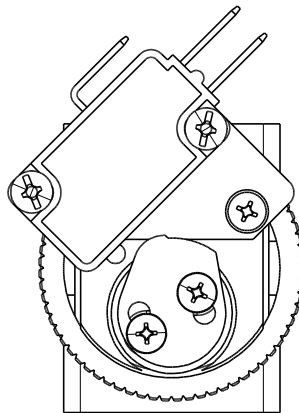
Maintained
on-on

KEY ROTATION

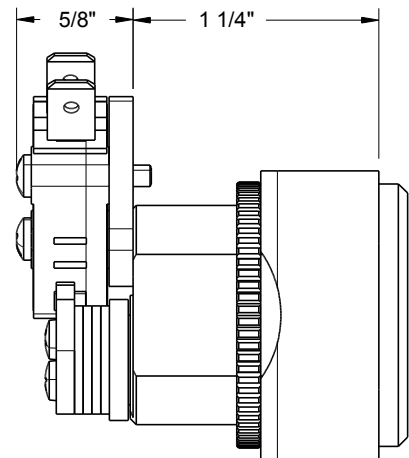
360°
Clockwise-on



UNLOCKED 360°



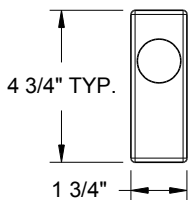
UNLOCKED 0°



FACEPLATE Switch & Configuration

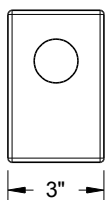
SINGLE SWITCH

NARROW SWITCH PLATE



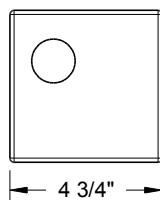
SINGLE SWITCH

SINGLE GANG SWITCH PLATE



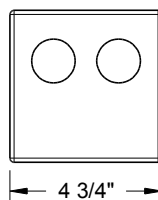
SINGLE SWITCH

DOUBLE GANG SWITCH PLATE



DOUBLE SWITCH

DOUBLE GANG SWITCH PLATE



E.T.I. Products

INSTALLATION DATA FOR E.T.I. SWITCH LOCKS

PTN NO. ETIDATA2	LEVELS L-55	SERIES IC	DATE 3/23/2011	TEMPLATE NO.	REV	LOCK NO. ICES67B2
---------------------	----------------	--------------	-------------------	--------------	-----	----------------------