

Key & Switch Positions

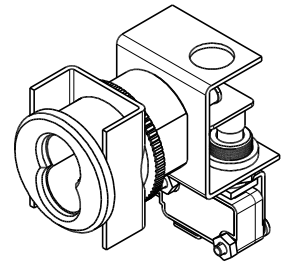


Key pos. 1 - Swt. pos. 1 Key pos.2 - Swt. pos. 2

Remove Key



Key pos.1 only Swt.



CONTACT RATING

15A 125vac, 15A 250vac
Resistive

SWITCH TYPE

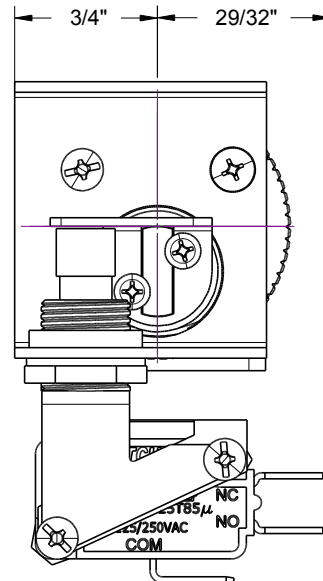
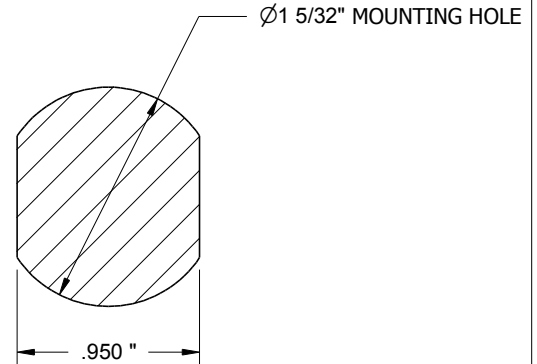
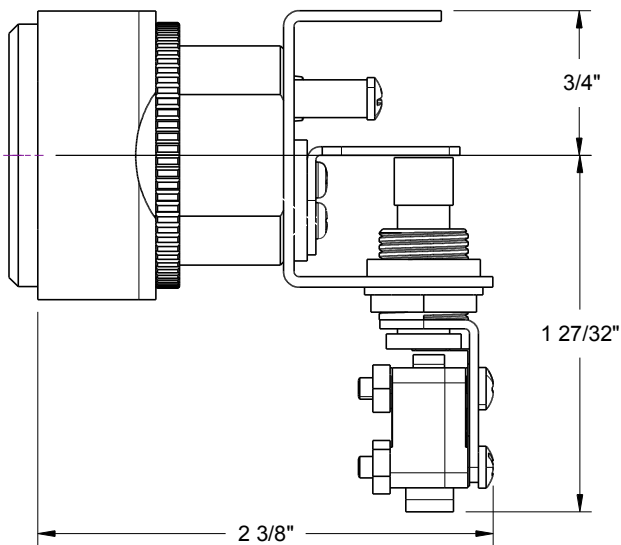
B3-SPDT
(Single pole - Double Throw)

SWITCH ACTION

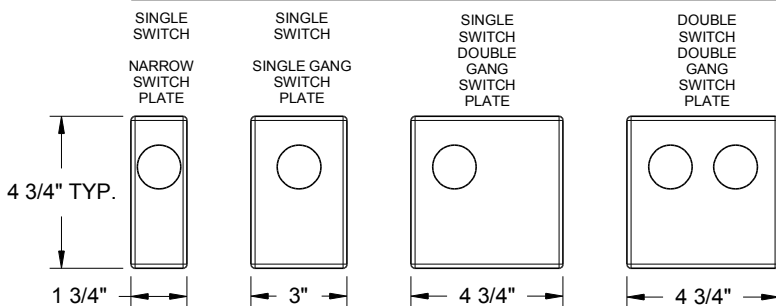
Momentary
on-on

KEY ROTATION

30°
Clockwise-on



FACEPLATE Switch & Configuration



E.T.I. Products

INSTALLATION DATA FOR E.T.I. SWITCH LOCKS

PTN NO. ETIDATA2	LEVELS L-55	SERIES IC	DATE 3/26/2011	TEMPLATE NO.	REV	LOCK NO. ICES67B3
---------------------	----------------	--------------	-------------------	--------------	-----	----------------------