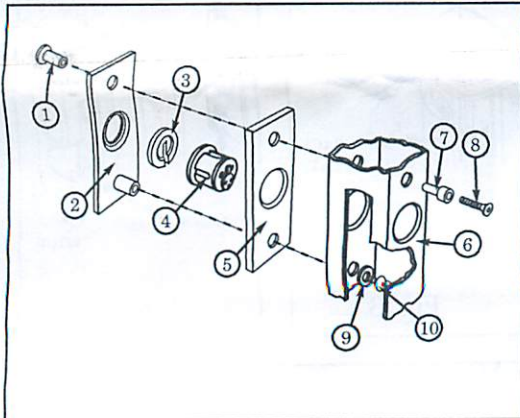


Instructions



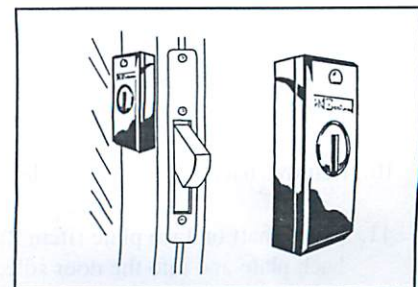
DorGard II™

No. DG-2



PARTS LIST

1. D-SHAPED PLATE FASTENER
2. HARDENED FACE PLATE
3. HARDENED CYLINDER PLUG PROTECTOR
4. EXISTING LOCK CYLINDER
5. BACK PLATE
6. EXISTING DOOR STILE (NOT INCLUDED WITH DG-2)
7. FLANGED SPACER
8. MOUNTING BOLT (LONG)
9. WASHER
10. MOUNTING BOLT (SHORT)



1. Remove trim plate from lock mechanism.
2. Loosen cylinder locking set screws.
3. On the side of the door to be guarded, remove lock cylinder by partially inserting key and rotating cylinder counter-clockwise. Discard cylinder spacer ring.
4. On the outside of door, locate back plate (item 5) over cylinder hole, with larger diameter hole to the outside. Replace cylinder through spacer plate, and screw in tightly. Use a "C" clamp to secure if necessary.
5. Using a 25/64" drill bit, drill through top hole of back plate and through the near side of stile only.
6. Through lower hole in back plate, drill a 25/64" hole through near side of door only. **Do not drill into lock mechanism.**
7. Remove back plate and both lock cylinders from door. Remove lock mounting screws and lock mechanism from door.

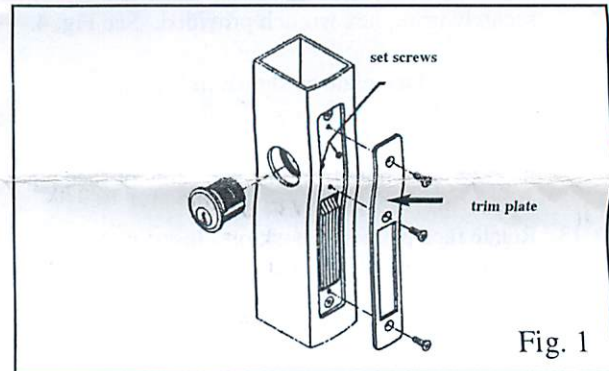


Fig. 1

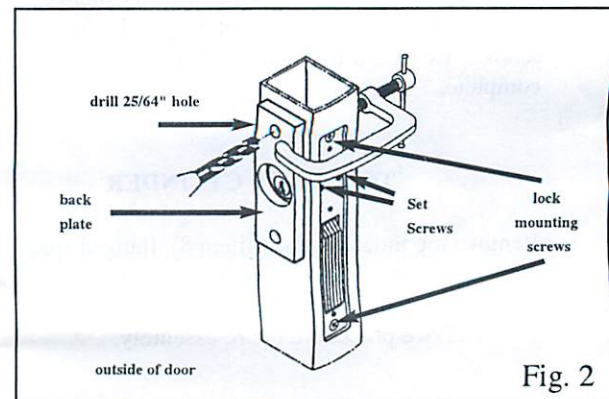


Fig. 2

DorGard II Instructions (continued)



8. On inside of door, locate back plate over cylinder hole, with larger diameter hole to the outside. Replace cylinder through back plate, and screw into lock tightly. Align cylinder hole precisely over the cylinder, and secure with a "C" clamp.

9. Using a 25/64" drill bit, drill through top hole of back plate, and through near side of stile only.

NOTE: this hole must align with hole drilled on outside of stile.

10. Remove back plate and cylinder.

11. Insert shaft on face plate (item 2) through lower hole in back plate and into the door stile. Fasten with short mounting bolt (item 10) and washer (item 9). Tighten securely using hex wrench provided. See Fig. 4.

12. Rotate the face plate as shown in Fig. 6. Re-install lock mechanism and cylinders, aligning cylinders in original positions. Lightly lubricate plug protector (item 3) and insert in large hole from the back side of face plate.

13. Rotate face plate into position. Insert plate fastener (item 1) and fasten with flanged spacer (item 7) and long mounting bolt (item 8). Tighten with hex wrench. See Fig. 5.

14. Insert key through lock guard and verify that key turns freely in both directions. Tighten cylinder locking set screws. Re-install trim plate. Installation is now complete.

TO RE-KEY CYLINDER

Remove top mounting bolt (item 8), flanged spacer (item 7), and D-shaped fastener (item 1). Rotate face plate as shown for access to cylinder. When re-keying is complete, reverse above procedure for re-assembly.

FOR NEW CONSTRUCTION:

Install lock as per lock manufacturer's instructions first. Then proceed from beginning of these instructions to install DorGard II.

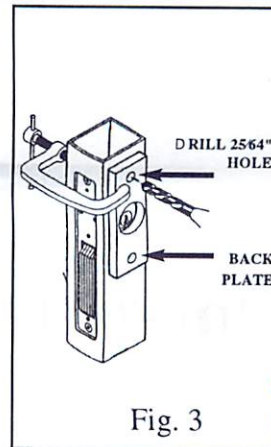


Fig. 3

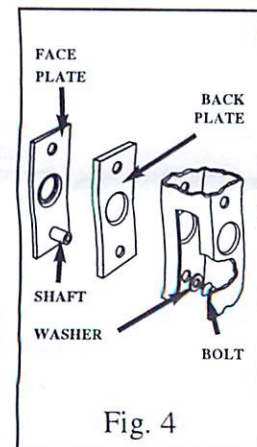


Fig. 4

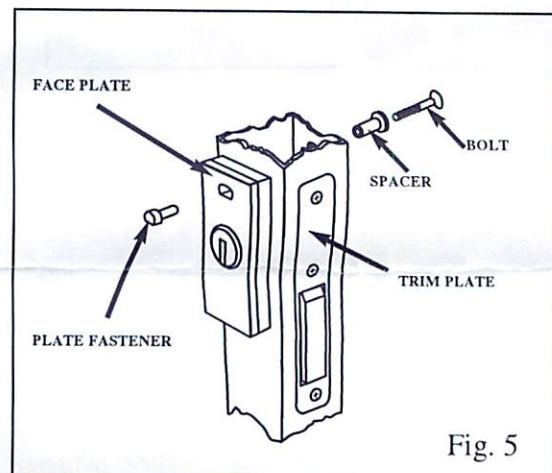


Fig. 5

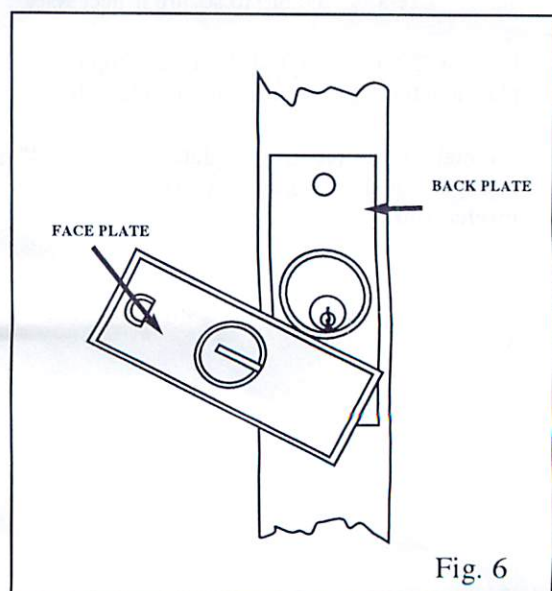


Fig. 6

(continued)

DorGard II Instructions (continued)



Optional Plug Protectors

For different brands of cylinders

No. 33-11 for Schlage

No. 33-12 for Miwa

No. 33-13 for Dom

No. 33-14 for Abloy

No. 33-16 for Zeiss-Ikon

Optional Spacers

For longer length cylinders, maybe used in multiples as needed

No. 33-72S 1/16-inch (1.6mm) Satin Stainless Finish

No. 33-73S 1/8-inch (3.2mm) Satin Stainless Finish