

Key Machines

008A Manual Key Duplicator



Called the "Mini-Mite", the 008A key duplicator is perfect for the mobile shop or where space is "tight". It's lightweight, compact, and easy to use!

The  to your success

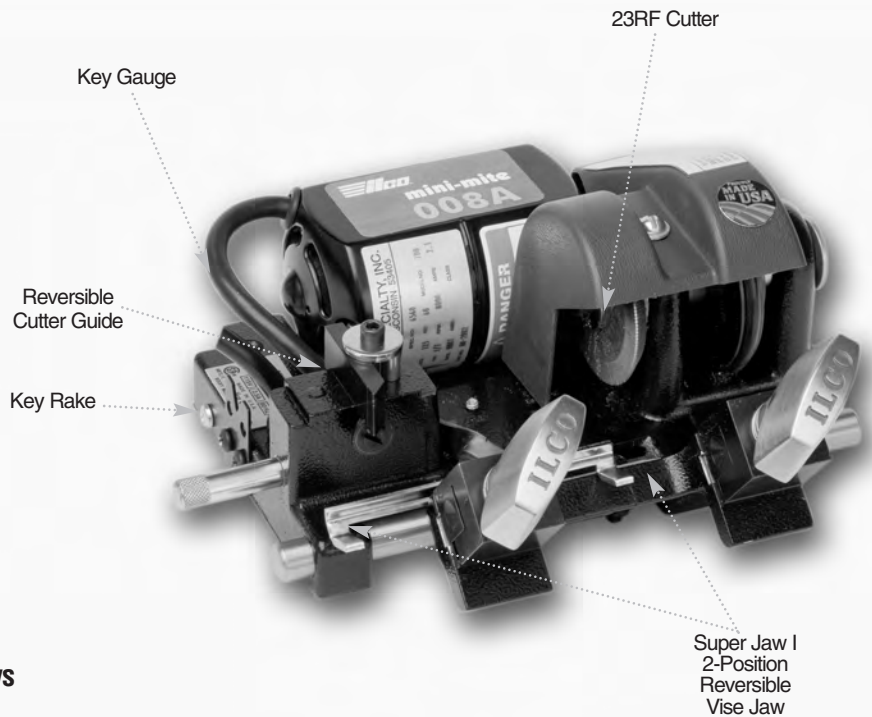


A member of the Kaba Group
www.kaba-ilco.com

008A Manual Duplicator

The 008A Mini-Mite will easily duplicate most all cylinder keys including large bow and double sided automotive keys. The key gauge provides accurate alignment without the need for adapters

- Ideal for mobile use; 1/5 HP motor operates with most inverters and generators supplying 500 or more watts (115 Volt AC)
- Wide spacing between vise jaws accommodates longer key blades (automotive) and large bow (hotel/motel) keys
- Super Jaw 1, 2-position vise jaws securely clamp and index a variety of keys without adapters including double sided types
- "Key rake" for deburring cut keys
- Reversible cutter guide accommodates flat steel keys when used in conjunction with the optional 27X Accessory Pack
- Convert to cut flat safe deposit, etc. keys using the optional Accessory Pack 27X (shown below).
- Compact, lightweight and easy to operate



Specifications:

Motor: 110V standard; also 220V and 12V-DC; all 1/15 Hp, 8000 RPM

Dimensions: 8"W x 5¼"D x 4"H
(20 cm x 13 cm x 10 cm)

Weight: 9 lbs. (4.1 kg)

Meets OSHA and CSA/NRL/C Requirements*

Replacement Parts:

Cutter: 23RF Rotary File

Jaw: 00803X Super Jaw 1 2-position

Guide: 008-49

Gauge: 008-56

Optional Accessories:

Accessory Pack 27X

Includes a 27 slotter, washer, cutter guide and instructions.

Wt: ¼ lb. (.11 kg)



Duplicates Cylinder and Automotive Keys



Flat Keys
*Requires 27X
Accessory Kit
(shown at left)*



Kaba Ilco Corp.
400 Jeffreys Road • Rocky Mount, NC 27804
Phone 800.334.1381 • Fax 252.446.4702
www.kaba-ilco.com

Form #2514/E/0308