

# Mortise Cylinder



## Application

Compatible with residential and commercial door locksets. Interfaces with locksets of major brands (see available cams).

Can retrofit a 'Jumbo' cylinder with an adaptor ring.

## Operation

360° rotation by operating key or thumbturn.

## Materials

Body and plug: high quality brass

Cam: steel

Pins: nickel silver and stainless steel

## Standard finish

Nickel chrome matt, nickel chrome, shiny brass

## Special finishes

Antique bronze, black, antique brass, PVD

## Cylinder mechanism

Mul-T-Lock's unique, high precision pin tumbler system. Pick and drill resistant for High Security needs.

## Keys

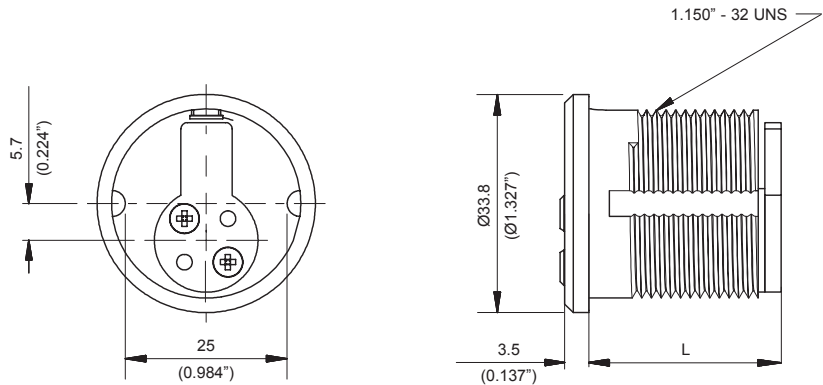
Reversible nickel silver key with plastic key head and colored insert. Also available in all nickel silver.

## Cylinder options

- Classic, Interactive®, MT5® platforms
- '3 IN 1' (changeable combination)
- Keyed different, keyed alike
- Master keyed
- Variety of cams

## Standards

ISI950

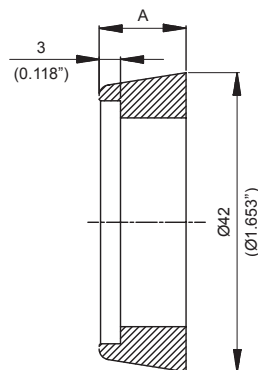


## Length available (mm)

Cylinder	L	
	mm	Inch
1*	27.9	1.1
1 1/8"	29.6	1.165
1 1/4"	32.8	1.294
1 3/8"	36	1.418
1 1/2"	39.2	1.544
1 3/4"	45.6	1.794
2	52	2.044

\*Product with 4 chambers, not UL Listed.

## Spacer ring



A	
mm	Inch
5.7*	0.224*
8.9	0.350
12.2	0.480
15.5	0.610

\*Supplied as standard



[www.mul-t-lock.com](http://www.mul-t-lock.com)

# Mortise Cylinder Cams

## Options Available

<p>Adams Rite type P/N 85000020</p>	<p>Yale standard type P/N 85000014</p>	<p>Russwin type P/N 85000019</p>	<p>Falcon type P/N 85000041</p>	<p>Lockwood type P/N 85000054</p>
<p>Segal type P/N 86001008</p>	<p>Schlage type P/N 85000057</p>	<p>Sargent offset type P/N 85000082</p>	<p>Jumbo type P/N 85000112 (Required ring 85000157)</p>	<p>Baldwin type P/N 85000117</p>
<p>Yale type P/N 85000165</p>	<p>Vingcard type P/N 51075696</p>	<p>Yale type A-04 P/N 85000185</p>	<p>Yale type 2160 P/N 85000186</p>	