



ROFU® ELECTRIC STRIKE MODEL 1509

1509 - SERIES, FACEPLATE SIZE 1⁷/₁₆" x 7¹⁵/₁₆"

MODEL 1509 — Fail - Secure (Non Fail - Safe)

Electric strikes for use with cylindrical locksets.

For Commercial and Residential, New and Retrofit Uses



**1509
Non-Handed**

Standard Features

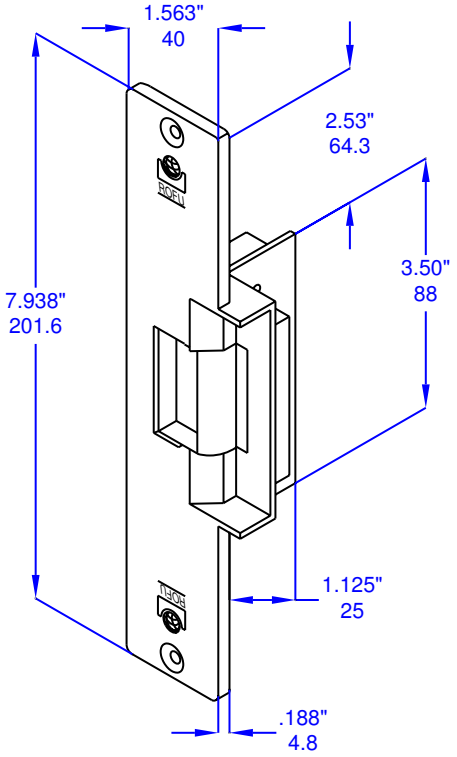
- Zinc/Aluminum Alloy Faceplate
- Frame Type - Hollow Metal, Aluminum or Wood
- Corrosion - Resistant case and moving parts.
- Tamper Strength Test - 1000 lbs (454kg)
- Cycle Test 500,000 cycles
- Keeper Depth - **5/8"** Maximum Latch Projection possible with 1/8" Door/Frame Clearance - **3/4"**
- Strike Depth 1.43" Overall
- Reversible - Non Handed
- Limited Warranty - **36 Months**

Available in the following Voltages and Finishes:

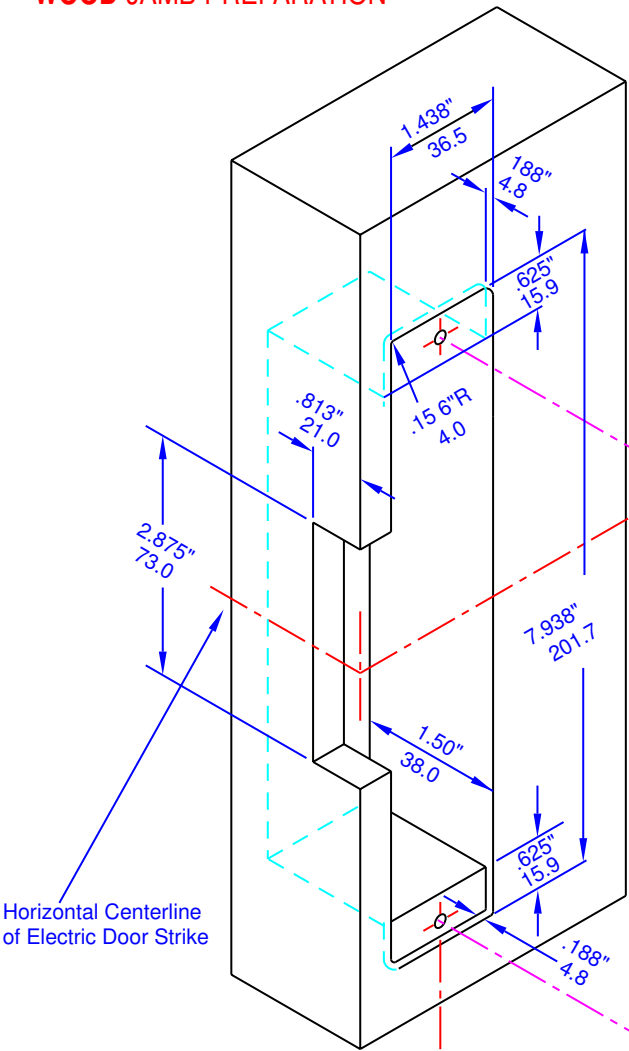
Specify Finish	xUS28
Voltage, Fail Secure	x01=8-16VAC/3-6VDC
	x05=12VAC/12VDC
	x08=24VAC/24VDC



LINE ART FOR 1509

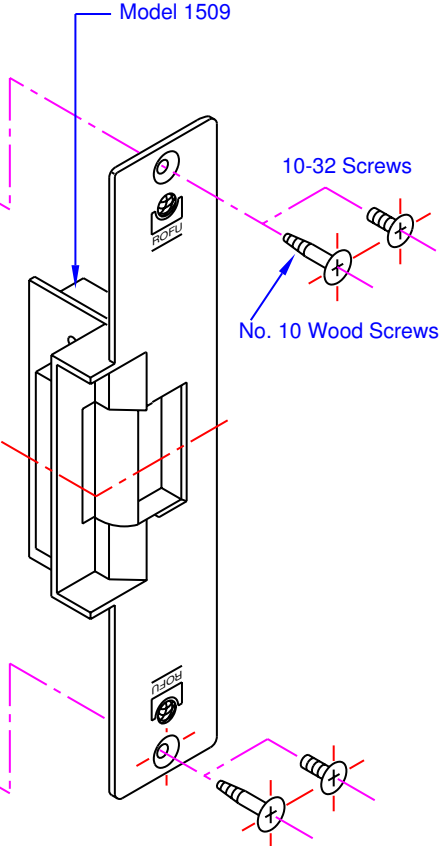


WOOD JAMB PREPARATION



Horizontal Centerline of Electric Door Strike

INSTALLATION



The mounting screws of the electric strike and the mounting screws of the deadlatch are located on the vertical centerline.

NOT TO SCALE - TECHNICAL DATA SUBJECT TO CHANGE WITHOUT NOTICE