



## Deadbolt & Deadlatch Locks

The Maxum deadbolt lock series offers a complete line of high quality auxiliary locks engineered to provide superior physical protection and key control to fit your security needs. Every inch of the Maxum is designed with specific features that resist the techniques that thieves use to gain entry. These locks provide maximum protection with anti-drilling and anti-prying features and include the Medeco patented technologies to assure keys aren't copied without authorization and for UL437 Listed pick resistance.



The security of a Maxum deadbolt integrates flawlessly into any home or business with traditional commercial style or with a more refined residential sophistication. Available in a unique captive thumbturn model that is highly recommended by law enforcement, Maxum is also available in single cylinder, double cylinder and classroom functions. And, with a broad range of finishes, Maxum will match most standard finishes as a seamless upgrade to existing hardware, or provide the perfect first impression for new installations.

Medeco's heavy duty tubular deadlatch lock compliments the Maxum product line by providing automatic locking for special applications such as pool and security gates and sensitive storage areas. This lock features a 9/16" throw with a heavy duty deadlocking latch that prevents shimming or "loiding" the bolt with a credit card or similar tool. It automatically deadlocks when the bolt enters the strike.



### Did you know...

Many communities have restricted the use of a double cylinder deadbolt for residential installations in order to insure that occupants can get out in the event of a fire or other emergency. The Maxum Captive Thumbturn deadbolt allows homeowners to enjoy the security of a double cylinder deadbolt when they are away and the convenience and safety of a single cylinder deadbolt when they are in the home. See page 97 for additional Maxum Deadbolt options in our Residential Hardware selection.

# Deadbolt & Deadlatch



## FEATURES & BENEFITS

UL Listed for use on fire doors having a rating up to and including three hours	●	●
ANSI/BHMA I65.5 2001 Grade I Certification for auxiliary locks and associated products	●	●
ANSI/BHMA A156.30 Level A Certification on the cylinder assures patent protected key control and physical strength	●	
Can be incorporated into existing master key systems	●	●
Security features to protect against drill, wrench, ice pick, kick-in, hammer, and prying attacks	●	
Solid brass construction provides high quality and long cylinder life	●	●
Deadbolt is designed to accommodate both mortise and drive-in face applications for greater flexibility and ease of installation. Deadlatch available with mortise front only.	●	●
Large thumbturn provides ease of use for physically challenged individuals	●	●
Deadlatch: Automatic locking mechanism with 9/16" throw stainless steel latch bolt	●	●
Deadbolt: Solid brass security collar spins independently of the cylinder to resist wrenching attacks	●	●
Deadbolt: Double cylinder captive thumbturn safety option available	●	
Fits into standard door prepped with 2 1/8" cross bore and 1" edge bore holes	●	●

### Deadbolt and Deadlatch Technical Information:

- ❖ Bolts are available in two backset lengths, 2 3/4" and 2 3/8." Bolt faces are available in 1 1/8" x 2 1/4" or 1" x 2 1/4."
- ❖ A drive-in bolt is available in both backsets for metal installations. (Deadbolt only)
- ❖ Strike is 2 3/4" x 1 1/8" and comes with a strike reinforcement. Four screws are provided for maximum strength against kick-in attacks. (Deadbolt only)

- ❖ 1 3/4" to 2 1/2" thick standard for all functions except Double Cylinder Captive Thumbturn. Double Cylinder Captive Thumbturn 1 3/4" to 2" standard, 2 1/4" to 2 1/2" to order. For 1 3/8" thick doors adaptor rings, sold separately, are required.

### Cylinder Technology:

Medeco recommends patented UL437 Listed, BHMA Certified Medeco<sup>3</sup> cylinder technology for deadbolt and deadlatch locks. The Biaxial patent expired in 2005 in the US and will expire in 2007 in Canada. "Original" cylinder technology was used in systems until patent expiration in 1986.

KeyMark cylinders offer patented control against unauthorized duplication of keys without the additional security features protecting against force or surreptitious attacks.

### Warranty:

Limited Lifetime mechanical warranty. See Medeco Limited Warranty for full details.

# How To Order Deadbolt & Deadlatch

Here are the 4 things you need to know:

- Find the base part number by determining the
  - Backset needed
  - Single or double cylinder needed
  - Technology
- What's the finish?
- What keyway?
- How do you want it pinned?

<p><b>1</b></p> <p><b>11 ♦ C601</b> base part #</p> <p>Refer to pages 76-85 for descriptions and technical specifications to find the corresponding base part number.</p> <p>♦ Represents locking technology</p>	<p><b>2</b></p> <p><b>- 05 -</b> finish</p> <p>Refer to page 75 for finish options. Include the corresponding two digit finish number.</p> <p>Upcharge for split finish.</p>	<p><b>3</b></p> <p><b>LT</b> keyway</p> <p>Insert keyway if known or contact Customer Service for help.</p>	<p><b>4</b></p> <p><b>S</b> pinning</p> <table border="0"> <tr> <td style="vertical-align: top;"> <p><b>S = Sub-assembled (Uncombined)</b></p> <p>No additional information needed</p> </td> <td style="vertical-align: top;"> <p><b>P = Pinned (Combined)</b></p> <p>Keyed alike (KA) Keyed different (KD)</p> <p>2 keys per cylinder</p> <p><b>Captive Deadbolt</b> 1 change key and 1 thumbturn key</p> </td> <td style="vertical-align: top;"> <p><b>M = Master Keyed</b></p> <p>Provide specific pinning or contact Customer Service for support.</p> <p>Must specify quantity for keys.</p> </td> </tr> </table>	<p><b>S = Sub-assembled (Uncombined)</b></p> <p>No additional information needed</p>	<p><b>P = Pinned (Combined)</b></p> <p>Keyed alike (KA) Keyed different (KD)</p> <p>2 keys per cylinder</p> <p><b>Captive Deadbolt</b> 1 change key and 1 thumbturn key</p>	<p><b>M = Master Keyed</b></p> <p>Provide specific pinning or contact Customer Service for support.</p> <p>Must specify quantity for keys.</p>
<p><b>S = Sub-assembled (Uncombined)</b></p> <p>No additional information needed</p>	<p><b>P = Pinned (Combined)</b></p> <p>Keyed alike (KA) Keyed different (KD)</p> <p>2 keys per cylinder</p> <p><b>Captive Deadbolt</b> 1 change key and 1 thumbturn key</p>	<p><b>M = Master Keyed</b></p> <p>Provide specific pinning or contact Customer Service for support.</p> <p>Must specify quantity for keys.</p>				

DEADBOLT & DEADLATCH

11/15

## BUILD A MAXUM DEADBOLT BASE PART #

<p><b>Maxum Deadbolt</b> — 11</p> <p><b>Technology</b></p> <ul style="list-style-type: none"> <li>T = Medeco<sup>3</sup></li> <li>W = Biaxial</li> <li>- = Original</li> <li>K = KeyMark</li> </ul> <p><b>Cylinder Trim</b></p> <ul style="list-style-type: none"> <li>C = Commercial</li> <li>R = Residential</li> </ul> <p><b>Cylinder type</b></p> <ul style="list-style-type: none"> <li>2 = None</li> <li>3 = LFIC (6 Pin) -- C</li> <li>4 = LFIC (Less Core) -- C</li> <li>5 = Standard (5 Pin) -- R</li> <li>6 = Standard (6 Pin) -- R</li> <li>7 = SFIC (Less Core) -- C</li> <li>8 = SFIC (6 Pin) -- C</li> <li>9 = SFIC (7 Pin) -- C</li> </ul>	<p><b>Variation</b></p> <ul style="list-style-type: none"> <li>T = Thick door (2 1/4" to 2 1/2" Captive Thumbturn Only)</li> </ul> <p><b>Backset/Bolt</b></p> <ul style="list-style-type: none"> <li>1 = 2 3/8" Backset, 1 1/8" Front</li> <li>2 = 2 3/4" Backset, 1 1/8" Front</li> <li>3 = 2 3/8" Backset, 1" Front</li> <li>4 = 2 3/4" Backset, 1" Front</li> <li>5 = 2 3/8" Backset, Drive In Front</li> <li>6 = 2 3/4" Backset, Drive In Front</li> <li>L = Less Bolt Assembly</li> </ul> <p><b>Function</b></p> <ul style="list-style-type: none"> <li>0 = Cylinder x Thumbturn</li> <li>1 = Cylinder x Classroom Thumbturn -- C</li> <li>2 = Cylinder x Cylinder</li> <li>3 = Cylinder x Cylinder Captive Thumbturn</li> <li>4 = Cylinder x Blank -- R</li> <li>5 = Dummy Cylinder x Thumbturn</li> <li>6 = Dummy Cylinder x Cylinders</li> <li>7 = Dummy Cylinder x Blank -- R</li> <li>8 = Blank x Thumbturn -- C</li> <li>9 = Blank x Cylinder -- C</li> <li>D = Dummy Cylinder x Dummy Cylinder -- R</li> </ul>
---	--

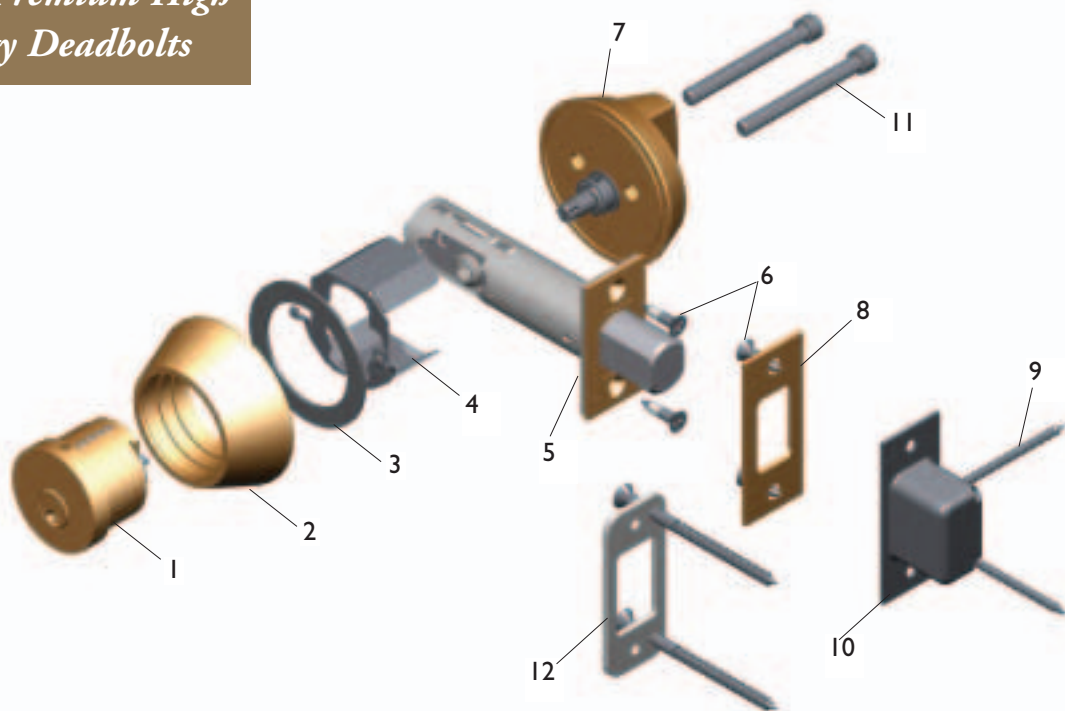
C = Commercial Only  
R = Residential Only

## BUILD A HEAVY DUTY DEADLATCH BASE PART #

<p><b>Heavy Duty Deadlatch</b> — 15</p> <p><b>Technology</b></p> <ul style="list-style-type: none"> <li>T = Medeco<sup>3</sup></li> <li>W = Biaxial</li> <li>- = Original</li> <li>K = KeyMark</li> </ul> <p><b>Backset/cylinder type</b></p> <ul style="list-style-type: none"> <li>01 = 2 3/8" standard high security or std. KeyMark cylinder</li> <li>02 = 2 3/4" standard high security or std. KeyMark cylinder</li> <li>03 = 2 3/8" 7 pin KeyMark SFIC cylinder</li> <li>04 = 2 3/4" 7 pin KeyMark SFIC cylinder</li> <li>06 = 2 3/8" 6 pin SFIC cylinder</li> <li>07 = 2 3/4" 6 pin SFIC cylinder</li> <li>73 = 2 3/8" KeyMark SFIC cylinder, less core</li> <li>74 = 2 3/4" KeyMark SFIC cylinder, less core</li> </ul>	<p><b>Function</b></p> <ul style="list-style-type: none"> <li>1 = Cylinder X thumbturn</li> <li>2 = Double cylinder</li> </ul> <p><b>Bolt Type</b></p> <ul style="list-style-type: none"> <li>Blank = 1 1/8" rectangular front</li> <li>A = 4 7/8" ANSI curved lip strike</li> </ul>
--	--

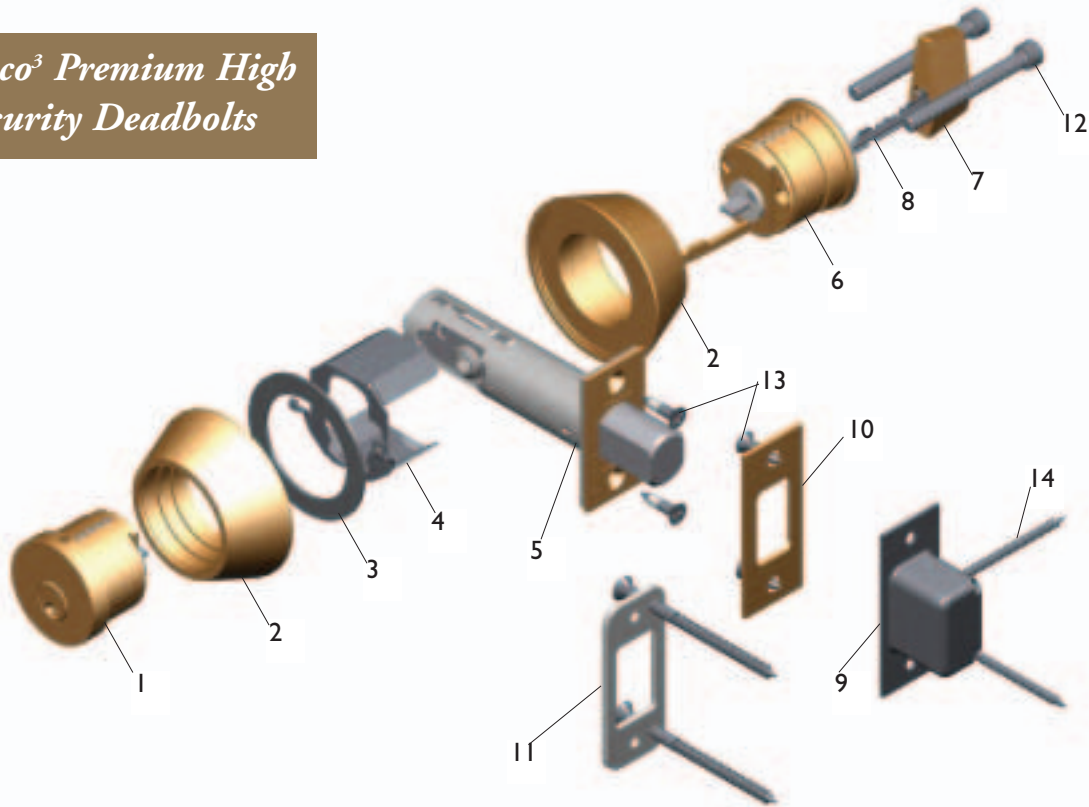
**Finishes** - Available for deadlatch lock: 05, 12, 13, 29, and 30

*Medeco<sup>3</sup> Premium High Security Deadbolts*



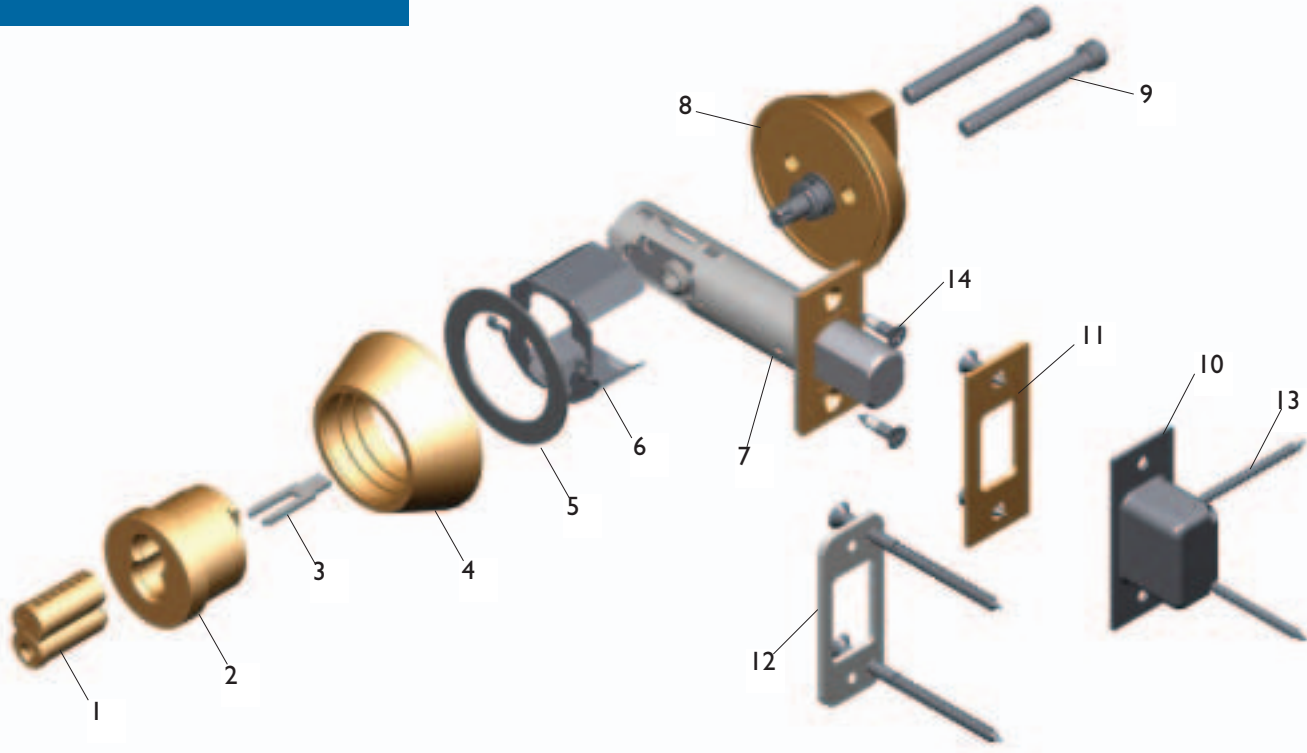
Item	Description	Part Number
1	Outside Cylinder Assembly	11♦0A04
2	Collar	CP-070711-XX
3	Security Ring	CP-181690
4	Shield (Anti Ice Pick)	CP-260220
5	Bolt 2-3/8" Backset (1-1/8" Wide Face)	11-0A1912-XX
6	Bolt & Strike Face Plate Mounting Screws # 8 x 3/4" Comb.WS	CP-010235-120-XX
7	Thumbturn Assembly	11-0A10-XX
8	Strike Plate	CP-180061-XX
9	Box Strike Mounting Screws # 8 x 2" FHWS	CP-010320-360
10	Box Strike	CP-280620
11	Screw Package	CP-011749
12	Strike Reinforcement Plate	CP-181920

*Medeco<sup>3</sup> Premium High Security Deadbolts*



Item	Description	Part Number
1	Outside Cylinder Assembly	11♦0A04
2	Collar	CP-070711-XX
3	Security Ring	CP-181690
4	Shield (Anti Ice Pick)	CP-260220
5	Bolt 2 3/8" Backset (1 1/8" Wide Face)	11♦0A1912-XX
6	Inside Cylinder Assembly	11♦0A05
7	Commercial Thumbturn Head	11-0092
8	Key Blank For Captive Thumbturn	KY-106605-XX
9	Box Strike	CP-280620
10	Strike Plate	CP-180061-XX
11	Strike Reinforcement Plate	CP-181920
12	Mounting Screws	CP-011750
13	Bolt & Strike Face Plate Mounting Screws #8 x 3/4" Comb.WS	CP-01025-120-XX
14	Box Strike Mounting Screws	CP-010234-320

## KeyMark Key Control Deadbolt

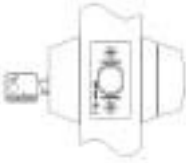
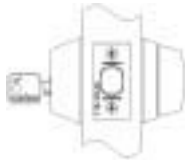
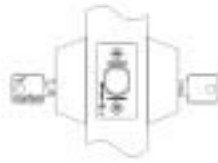
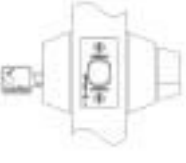
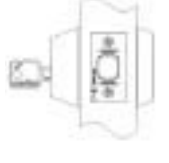

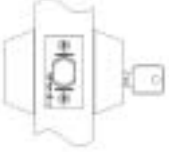


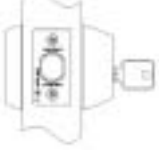



Item	Description	Part Number
1	KeyMark 6 Pin IC KeyMark 7 Pin IC	33K60001 33K70001
1	Spacer For 6 Pin IC (not shown)	CP-160420
2	Shell	
3	Tailpiece Outside Cyl. 1-3/8"-2" Thick Doors	CT-V33
4	Collar	CP-070711-XX
5	Security Ring	CP-181690
6	Shield (Anti Ice Pick)	CP-260070
7	Bolt 2-3/8" Backset (1-1/8" Wide Face)	11-0A1912-XX
8	• Thumbturn Assembly	11-0A10
9	Mounting Screws Pack	CP-011749
10	StrikeBox	CP-280620
11	Strike Plate	CP-180061-XX
12	• Strike Reinforcement Plate	CP-181920
13	*Box Strike Mounting Screws # 8 x 2" FHWS	CP-010234-320-XX
14	*Bolt & Strike Face Plate Mounting Screws # 8 x 3/4" Comb.WS	CP-010235-120-XX

\* Included In Screw Package

• Shaft and Tailpiece Assembly Included In Package

# Maxum Deadbolt Functions & Finishes

FUNCTIONS		
 <b>Cylinder x Thumbturn</b>	 <b>Cylinder x Classroom Function*</b>	 <b>Cylinder x Cylinder</b>
 <b>Cylinder x Cylinder Captive Thumbturn</b>	 <b>Cylinder x Blank</b>	 <b>Dummy Cylinder x Thumbturn</b>
 <b>Dummy Cylinder x Cylinder</b>	 <b>Dummy Cylinder x Blank<sup>†</sup></b>	 <b>Blank x Thumbturn*</b>
 <b>Blank x Cylinder*</b>	 <b>Dummy Cylinder x Dummy Cylinder<sup>†</sup></b>	<p>* Function available only with Commercial trim</p> <p>† Function available only with Residential trim</p>

## Function Numbers

Function	ANSI A156.5	Function Number
Cylinder x Thumbturn	E2151	0
Cylinder x Classroom Thumbturn	E2171	1
Cylinder x Cylinder	E2141	2
Cylinder x Cylinder Captive Thumbturn	—	3
Cylinder x Blank	E2161	4
Dummy Cylinder x Thumbturn	E21111	5
Dummy Cylinder x Cylinder	E2101	6
Dummy Cylinder x Blank	—	7
Blank x Thumbturn	E21111	8
Blank x Cylinder	E2101	9
Dummy Cylinder x Dummy Cylinder	—	D

## Finishes

05 Bright Brass	11 Bright Bronze	20 Antique Nickel
5E PVD Bright Brass	12 Satin Bronze	22 Flat Black
06 Satin Brass	13 Oil Rubbed Bronze	24 Dark Bronze Clear Coated
09 Antique Brass	18 Bright Nickel	25 Bright Chrome
10 Satin Brass Blackened	19 Satin Nickel	26 Satin Chrome

**MEDECO<sup>3</sup> - Premium High Security**  
Maxum Commercial Deadbolt



**Single Cylinder Maxum<sup>®</sup> Deadbolt Lock**

	2 3/8" Backset	2 3/4" Backset	S/A	List Price
Single Cylinder Maxum <sup>®</sup> Deadbolt Lock, 1 1/8" Faceplate	11♦C601	11♦C602		
Single Cylinder Maxum <sup>®</sup> Deadbolt Lock, 1" Faceplate	11♦C603	11♦C604		
Single Cylinder Maxum <sup>®</sup> Deadbolt Lock, Drive In Front	11♦C605	11♦C606		
Single Cylinder Maxum <sup>®</sup> Deadbolt Lock, Less Bolt	11♦C60L			
Single Cylinder Maxum <sup>®</sup> Deadbolt Lock with Blank Plate Inside, 1 1/8" Faceplate	11♦C641	11♦C642		
Single Cylinder Maxum <sup>®</sup> Deadbolt Lock, Classroom Function, 1 1/8" Faceplate	11♦C611	11♦C612		
Single Cylinder Maxum <sup>®</sup> Deadbolt Lock, Classroom Function, 1" Faceplate	11♦C613	11♦C614		
Single Cylinder Maxum <sup>®</sup> Deadbolt Lock, Classroom Function, Drive In	11♦C615	11♦C616		
Single Cylinder Maxum <sup>®</sup> Deadbolt Lock, Classroom Function, Less Bolt	11♦C61L			
Single Cylinder Maxum <sup>®</sup> Deadbolt Lock, with Blank Plate Outside, 1 1/8" Faceplate*	11♦C691	11♦C692		
Maxum <sup>®</sup> Deadbolt Lock, Blank Plate Outside with Inside Thumbturn, 1 1/8" Faceplate†	11♦C281	11♦C282		

\* Requires screw package CP-011754 for 2 1/4" - 2 1/2" thick door.

† Requires screw package CP-011753 for 2 1/4" - 2 1/2" thick door.

**MEDECO<sup>3</sup> - Premium High Security**  
Maxum Commercial Deadbolt



**Double Cylinder Maxum<sup>®</sup> Deadbolt Lock**

	2 3/8" Backset	2 3/4" Backset	S/A	List Price
Double Cylinder Maxum <sup>®</sup> Deadbolt Lock, 1 1/8" Faceplate	11♦C621	11♦C622		
Double Cylinder Maxum <sup>®</sup> Deadbolt Lock, 1" Faceplate	11♦C623	11♦C624		
Double Cylinder Maxum <sup>®</sup> Deadbolt Lock, Less Bolt	11♦C62L			
Double Cylinder Maxum <sup>®</sup> Deadbolt Lock, Drive-In Front	11♦C625	11♦C626		



<b>Double Cylinder, Captive Thumbturn Maxum<sup>®</sup></b>	<b>2 3/8" Backset</b>	<b>2 3/4" Backset</b>	<b>S/A</b>	<b>List Price</b>
Captive Double Cylinder Maxum <sup>®</sup> Deadbolt Lock, 1 1/8" Faceplate, 1 3/4" - 2" door	11♦C631	11♦C632		
Captive Double Cylinder Maxum <sup>®</sup> Deadbolt Lock, 1" Faceplate, 1 3/4" - 2" door	11♦C633	11♦C634		
Captive Double Cylinder Maxum <sup>®</sup> Deadbolt Lock, Less Bolt, 1 3/4" - 2" door		11♦C63L		
Captive Double Cylinder Maxum <sup>®</sup> Deadbolt Lock, Drive-In Front, 1 3/4" - 2" door	11♦C635	11♦C636		
Captive Double Cylinder Maxum <sup>®</sup> Deadbolt Lock, 1 1/8" Faceplate, 2 1/4" - 2 1/2" door	11♦C631T	11♦C632T		
Captive Double Cylinder Maxum <sup>®</sup> Deadbolt Lock, 1" Faceplate, 2 1/4" - 2 1/2" door	11♦C633T	11♦C634T		
Captive Double Cylinder Maxum <sup>®</sup> Deadbolt Lock, Less Bolt, 2 1/4" - 2 1/2" door		11♦C63LT		
Captive Double Cylinder Maxum <sup>®</sup> Deadbolt Lock, Drive-In Front, 2 1/4" - 2 1/2" door	11♦C635T	11♦C636T		



**LFIC Single Cylinder Maxum<sup>®</sup>  
Deadbolt Lock**

	<b>2 3/8" Backset</b>	<b>2 3/4" Backset</b>	<b>S/A</b>	<b>List Price</b>
LFIC Single Cylinder Maxum <sup>®</sup> Deadbolt Lock, 1 1/8" Faceplate	11♦C301	11♦C302		
LFIC Single Cylinder Maxum <sup>®</sup> Deadbolt Lock, 1" Faceplate	11♦C303	11♦C304		
LFIC Single Cylinder Maxum <sup>®</sup> Deadbolt Lock, Less Bolt	11♦C30L			
LFIC Single Cylinder Maxum <sup>®</sup> Deadbolt Lock, Drive-In Front	11♦C305	11♦C306		
LFIC Single Cylinder Maxum <sup>®</sup> Deadbolt Lock, 1 1/8" Faceplate, Less Core	11♦C401	11♦C402		
LFIC Single Cylinder Maxum <sup>®</sup> Deadbolt Lock, Drive-In Front, Less Core	11♦C405	11♦C406		
LFIC Single Cylinder Maxum <sup>®</sup> Deadbolt Lock, Blank Inside, 1 1/8" Faceplate	11♦C341	11♦C342		
LFIC Single Cylinder Maxum <sup>®</sup> Deadbolt Lock, Blank Outside, 1 1/8" Faceplate *	11♦C391	11♦C392		
LFIC Single Cylinder Maxum <sup>®</sup> Deadbolt Lock Classroom Function, 1 1/8" Faceplate	11♦C311	11♦C312		
LFIC Single Cylinder Maxum <sup>®</sup> Deadbolt Lock Classroom Function, 1" Faceplate	11♦C313	11♦C314		
LFIC Single Cylinder Maxum <sup>®</sup> Deadbolt Lock Classroom Function, Less Bolt	11♦C31L			
LFIC Single Cylinder Maxum <sup>®</sup> Deadbolt Lock Classroom Function, Drive-In Front	11♦C315	11♦C316		

\* Requires screw package CP-011754 for 2 1/4" - 2 1/2" thick door.

**DEADBOLT &  
DEADLATCH**

**11/15**



**Single Cylinder Maxum®  
SFIC Deadbolt Lock**

**1 1/8" Backset 2 3/4" Backset S/A List Price**

SFIC Single Cylinder Maxum® Deadbolt Lock, 1 1/8" Faceplate, 6 Pin SFIC Cylinder	11KC801	11KC802
SFIC Single Cylinder Maxum® Deadbolt Lock, 1" Faceplate, 6 Pin SFIC Cylinder	11KC803	11KC804
SFIC Single Cylinder Maxum® Deadbolt Lock, Drive-In Front, 6 Pin SFIC Cylinder	11KC805	11KC806
SFIC Single Cylinder Maxum® Deadbolt Lock, 1 1/8" Faceplate, 7 Pin SFIC Cylinder	11KC901	11KC902
SFIC Single Cylinder Maxum® Deadbolt Lock, 1" Faceplate, 7 Pin SFIC Cylinder	11KC903	11KC904
SFIC Single Cylinder Maxum® Deadbolt Lock, Drive-In Front, 7 Pin SFIC Cylinder	11KC905	11KC906
SFIC Single Cylinder Maxum® Deadbolt Lock, 1 1/8" Faceplate, Less Core	11KC701	11KC702
SFIC Single Cylinder Maxum® Deadbolt Lock, 1" Faceplate, Less Core	11KC703	11KC704
SFIC Single Cylinder Maxum® Deadbolt Lock, Drive-In Front, Less Core	11KC705	11KC706
SFIC Single Cylinder Maxum® Deadbolt Lock, Classroom Function, 1 1/8" Faceplate, 6 Pin SFIC Cylinder	11KC811	11KC812
SFIC Single Cylinder Maxum® Deadbolt Lock, Classroom Function, 1" Faceplate, 6 Pin SFIC Cylinder	11KC813	11KC814
SFIC Single Cylinder Maxum® Deadbolt Lock, Classroom Function, Drive-In Front, 6 Pin SFIC Cylinder	11KC815	11KC816
SFIC Single Cylinder Maxum® Deadbolt Lock, Classroom Function, 1 1/8" Faceplate, 7 Pin SFIC Cylinder	11KC911	11KC912
SFIC Single Cylinder Maxum® Deadbolt Lock, Classroom Function, 1" Faceplate, 7 Pin SFIC Cylinder	11KC913	11KC914
SFIC Single Cylinder Maxum® Deadbolt Lock, Classroom Function, Drive-In Front, 7 Pin SFIC Cylinder	11KC915	11KC916
SFIC Single Cylinder Maxum® Deadbolt Lock, Classroom Function, 1 1/8" Faceplate, Less Core	11KC711	11KC712
SFIC Single Cylinder Maxum® Deadbolt Lock, Classroom Function, 1" Faceplate, Less Core	11KC713	11KC714
SFIC Single Cylinder Maxum® Deadbolt Lock, Classroom Function, Drive-In Front, Less Core	11KC715	11KC716
SFIC Single Cylinder Maxum® Deadbolt Lock, Blank Inside, 1 1/8" Faceplate, 6 Pin SFIC Cylinder	11KC841	11KC842
SFIC Single Cylinder Maxum® Deadbolt Lock, Blank Outside, 1 1/8" Faceplate, 6 Pin SFIC Cylinder *	11KC891	11KC892
SFIC Single Cylinder Maxum® Deadbolt Lock, Blank Inside, 1 1/8" Faceplate, 7 Pin SFIC Cylinder	11KC941	11KC942
SFIC Single Cylinder Maxum® Deadbolt Lock, Blank Outside, 1 1/8" Faceplate, 7 Pin SFIC Cylinder *	11KC991	11KC992

\* Requires screw package CP-011754 for 2 1/4" - 2 1/2" thick door.

## MEDECO<sup>3</sup> - Premium High Security

Maxum Commercial Deadbolt



### LFIC Double Cylinder Maxum<sup>®</sup> Deadbolt Lock

	2 3/8" Backset	2 3/4" Backset	S/A	List Price
LFIC Double Cylinder Maxum <sup>®</sup> Deadbolt Lock, 1 1/8" Faceplate	11♦C321	11♦C322		
LFIC Double Cylinder Maxum <sup>®</sup> Deadbolt Lock, 1" Faceplate	11♦C323	11♦C324		
LFIC Double Cylinder Maxum <sup>®</sup> Deadbolt Lock, Less Bolt		11♦C32L		
LFIC Double Cylinder Maxum <sup>®</sup> Deadbolt Lock, Drive-In Front	11♦C325	11♦C326		
LFIC Double Cylinder Maxum <sup>®</sup> Deadbolt Lock, 1 1/8" Faceplate, Less Core	11♦C421	11♦C422		
LFIC Double Cylinder Maxum <sup>®</sup> Deadbolt Lock, Drive-In Front, Less Core	11♦C425	11♦C426		

## MAXUM Residential Deadbolt - Medeco<sup>3</sup> Premium High Security

Cylinder Description

Description	2 3/8" Backset	2 3/4" Backset	S/A	List Price
5 Pin Single Cylinder Deadbolt, 1" Faceplate	11♦R503	11♦R504		
5 Pin Double Cylinder Deadbolt 1" Faceplate	11♦R523	11♦R524		
5 Pin Captive Thumbturn Double Cylinder Deadbolt	11♦R533	11♦R534		
Single Dummy Trim Deadbolt (5 Pin Length)	————	11-R57L	————	
Double Dummy Trim Deadbolt (5 Pin Length)	————	11-R5DL	————	
Single Dummy Trim Deadbolt (6 Pin Length)	————	11-R67L	————	
Double Dummy Trim Deadbolt (6 Pin Length)	————	11-R6DL	————	
6 Pin Single Cylinder Deadbolt, 1" Faceplate	11♦R603	11♦R604		
6 Pin Double Cylinder Deadbolt, 1" Faceplate	11♦R623	11♦R624		
6 Pin Captive Thumbturn Double Cylinder Deadbolt, 1" Faceplate	11♦R633	11♦R634		

DEADBOLT & DEADLATCH

11/15

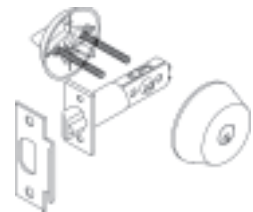
**KEYMARK- Key Control Only**  
Maxum Commercial Deadbolt



<b>Double Cylinder Maxum® SFIC Deadbolt Lock</b>	<b>2 3/8" Backset</b>	<b>2 3/4" Backset</b>	<b>S/A</b>	<b>List Price</b>
SFIC Double Cylinder Maxum® Deadbolt Lock, 1 1/8" Faceplate, 6 Pin Cylinder	11KC821	11KC822		
SFIC Double Cylinder Maxum® Deadbolt Lock, 1" Faceplate, 6 Pin Cylinder	11KC823	11KC824		
SFIC Double Cylinder Maxum® Deadbolt Lock, Drive-In Front, 6 Pin Cylinder	11KC825	11KC826		
SFIC Double Cylinder Maxum® Deadbolt Lock, 1 1/8" Faceplate, 7 Pin Cylinder	11KC921	11KC922		
SFIC Double Cylinder Maxum® Deadbolt Lock, 1" Faceplate, 7 Pin Cylinder	11KC923	11KC924		
SFIC Double Cylinder Maxum® Deadbolt Lock, Drive-In Front, 7 Pin Cylinder	11KC925	11KC926		
SFIC Double Cylinder Maxum® Deadbolt Lock, 1 1/8" Faceplate, Less Core	11KC721	11KC722		
SFIC Double Cylinder Maxum® Deadbolt Lock, 1" Faceplate, Less Core	11KC723	11KC724		
SFIC Double Cylinder Maxum® Deadbolt Lock, Drive-In Front, Less Core	11KC725	11KC726		

DEADBOLT & DEADLATCH

11/15



**MEDECO<sup>3</sup> Heavy Duty Tubular DeadLatch Lock - Premium High Security**  
Cylinder Description

<b>Description</b>	<b>2 3/8" Backset</b>	<b>2 3/4" Backset</b>	<b>S/A</b>	<b>List Price</b>
Single Cylinder Tubular Deadlatch	15♦0121	15♦0221		
Double Cylinder Tubular Deadlatch	15♦0122	15♦0222		

\*Finishes available for deadlatch lock: 05, 12, 13, 29, and 30

## KEYMARK Tubular DeadLatch - Key Control Only

Cylinder Description

Description	2 3/8" Backset	2 3/4" Backset	S/A	List Price
Single Cylinder Tubular Deadlatch	15K0121	15K0221		
Double Cylinder Tubular Deadlatch	15K0122	15K0222		
7 Pin SFIC Single Cylinder Tubular Deadlatch	15K0321	15K0421		
7 Pin SFIC Double Cylinder Tubular Deadlatch	15K0322	15K0422		
6 Pin SFIC Single Cylinder Tubular Deadlatch	15K0621	15K0721		
6 Pin SFIC Double Cylinder Tubular Deadlatch	15K0622	15K0722		
SFIC Single Cylinder Tubular Deadlatch, Less SFIC Cylinder	15-7321	15-7421		
SFIC Double Cylinder Tubular Deadlatch, Less SFIC Cylinder	15-7322	15-7422		

**Note: Finishes available in 05, 12, 13, 29, and 30**

## MEDECO<sup>3</sup> - Premium High Security

Cylinder Description

Cylinder Housing & Plugs for Maxum Deadbolt	Part Number	S/A	List Price
Plug for 11-C601, 11-C621, & 11-C631 Outside (Original)	12-028002		
Plug for 11WC601, 11WC621, & 11WC631 Outside (Biaxial®)	12-028006		
Plug for 11TC601, 11TC621, & 11TC631 Outside (Medeco <sup>3</sup> )	12-02800T		
Plug for 11♦-C601, 11♦C621, 11♦C631 Inside	12-02900X		
LFIC Outside Cylinder Housing for Maxum® Deadbolt Lock	11♦0A08L		
LFIC Inside Cylinder Assembly for Maxum® Deadbolt Lock	11♦0A09		
Inside Cylinder Assembly for Maxum® Deadbolt Lock	11♦0A05		
Outside Cylinder Assembly for Maxum® Deadbolt Lock	11♦0A04		
LFIC Outside Cylinder Assembly for Maxum® Deadbolt Lock	11♦0A08		

## KEYMARK- Key Control Only

Cylinder Description

Cylinders for Maxum Deadbolt	Part Number	S/A	List Price
6 Pin SFIC Cylinder	33K600006		
7 Pin SFIC Cylinder	33K700006		

**KEYMARK- Key Control Only**

Cylinder Description

Cylinders for Tubular Deadlatch & Maxum SFIC Deadbolt	Part Number	S/A	List Price
6 Pin KIK Cylinder for Tubular Deadlatch	20K81600		
6 Pin SFIC Cylinder with Extended Plug Face	QS 33K600007		
7 Pin SFIC Cylinder with Extended Plug Face	QS 33K700007		

Bolt Assemblies for Maxum Deadbolt	Part Number	List Price
------------------------------------	-------------	------------

2 3/4" Maxum® Bolt Assembly 1 1/8" X 2 1/4" Faceplate	11-0A1922	
2 3/8" Maxum® Bolt Assembly 1 1/8" X 2 1/4" Faceplate	11-0A1912	
2 3/4" Maxum® Bolt Assembly 1" X 2 1/4" Faceplate	11-0A1921	
2 3/8" Maxum® Bolt Assembly 1" X 2 1/4" Faceplate	11-0A1911	
2 3/4" Maxum® Drive-in Bolt (Available in 26 finish only)	11-0A1923	
2 3/8" Maxum® Drive-in Bolt (Available in 26 finish only)	11-0A1913	
Round Front Assembly For Maxum® Drive-In Bolt (Includes: CP-180961-26 and CP-011016-020)	94-0059	
5 Pack Round Front Assembly For Maxum® Drive-In Bolt (Includes: CP-180961-26 and CP-011016-020)	94-0058	

Latch Assemblies for Tubular Deadlatch	Part Number	List Price
--	-------------	------------

2 3/8" Backset Latch Assembly for Tubular Deadlatch, 1 1/8" Wide Face Plate	15-000001-XX	
2 3/4" Backset Latch Assembly for Tubular Deadlatch, 1 1/8" Wide Face Plate	15-000002-XX	

Note: Deadbolts assembly pieces are available in 06 and 26 finish only, unless otherwise noted.

**Maxum Deadbolt Components****Part Number****List Price**

Strike Reinforcement Strike Box for Maxum® Deadbolt Lock	CP-280620	
Keyblank for Captive Thumbturn Key for Maxum® Deadbolt 6 Pin Varies by Key Section (factory will supply correct part number)	KY-106605-XX	
#8 x 2" FHWS Strike Box mounting screws	CP-010234-320	
#8 x 3/4" comb.Wood/Machine S Bolt & Strike mounting screws	CP-010235-120-XX	
Ball bearings (Allen head of mounting screws) .191" diameter silver	CP-250010	
Ball bearings (tip of mounting screws) .202" diameter black	CP-250020	
Commercial Style Thumbturn & set screw assembly	11-0A22-XX	
Residential Style Thumbturn & set screw assembly	11-0A23-XX	
Commercial Style Thumbturn To Fit On Captive Thumbturn Key (Original/Biaxial)	11-0092 -XX	
Residential Style Thumbturn To Fit On Captive Thumbturn Key (Original/Biaxial)	11-0A20-XX	
Commercial Style Thumbturn To Fit On Captive Thumbturn Key (Medeco <sup>3</sup> )	11-0A21-XX	
Residential Style Thumbturn To Fit On Captive Thumbturn Key (Medeco <sup>3</sup> )	11-0018 -XX	
5 Pin Length Deadbolt Lock Outside Dummy Cylinder	11-0A18-XX	
6 Pin Length Deadbolt Lock Outside Dummy Cylinder	11-0A16-XX	
Inside Cylinder Trim Plate Package for Commercial Maxum® Double Cylinder Deadbolt Lock	94-0029	
Inside Cylinder Trim Plate Package for Commercial Maxum® I/C Deadbolt Lock	94-0030	
Thumbturn Trim Plate Package for Commercial Maxum® Deadbolt Lock	94-0210	
Screw Package for 5 Pin Single Cylinder Maxum® Deadbolt Lock	CP-011747	
Screw Package for 5 Pin Double Cylinder Maxum® Deadbolt Lock	CP-011748	
Screw Package for 6 Pin Single Cylinder Maxum® Deadbolt Lock	CP-011749	
Screw Package for 6 Pin Double Cylinder Maxum® Deadbolt Lock	CP-011750	
Screw Package for 6 Pin Classroom Function Maxum® Deadbolt Lock	CP-011757	
Screw Package for Blank x Thumbturn Maxum® Deadbolt Lock	CP-011751	
Screw Package for Blank x Cylinder Maxum® Deadbolt Lock	CP-011752	
Screw Package for Blank x Thumbturn Maxum® Deadbolt Lock for 2 1/4" - 2 1/2" thick door	CP-011753	
Screw Package for Blank x Cylinder Maxum® Deadbolt Lock for 2 1/4" - 2 1/2" thick door	CP-011754	

<b>Maxum Deadbolt Components</b>	<b>Part Number</b>	<b>List Price</b>
Spacer Rings for 1 3/8" Door for Maxum® Deadbolt Lock (Package of 2)	94-0212	
Collar for Maxum® Commercial Style Deadbolt Lock (Inside & Outside)	CP-070711	
Collar for Maxum® Commercial Style Deadbolt Lock Thick Door Captive Thumbturn	CP-070741	
Collar for Maxum® Residential Style Deadbolt Lock 5 Pin	CP-070691	
Collar for Maxum® Residential Style Deadbolt Lock 6 Pin	CP-070701	
Collar for Maxum® Residential Style Deadbolt Lock Thick Door Captive Thumbturn 5 Pin	CP-070721	
Collar for Maxum® Residential Style Deadbolt Lock Thick Door Captive Thumbturn 6 Pin	CP-070731	
Strike for Maxum® Deadbolt Lock	CP-180061	
Commercial Blank Inside Plate Assembly for Maxum® Deadbolt Lock	11-0A14-XX	
Residential Blank Inside Plate Assembly for Maxum® Deadbolt Lock	11-0A17-XX	

<b>Deadlatch Components</b>	<b>Part Number</b>	<b>List Price</b>
Spacer Ring for 1 3/8" - 1 1/2" thick doors for Tubular Deadlatch (2 Required for Double Cylinder Lock)	CP-181570-XX	
Screw Pack for 15 Series Deadlatch for 1 5/8" - 2 1/4" Thick Doors. (Includes: 4 - #8 x 3/4" Phillips Screws, 2 - 1/4"-20 x 2 1/2" Phillips M.S., 2 - 1/4"-20 x 3" Phillips M.S.)	94-0158	

## Maxum® Deadbolt Tailpieces

---



Thumbturn Tailpiece for Maxum® Deadbolt Lock for doors 1 3/4" - 2 1/2" Thick

**CT-F41**

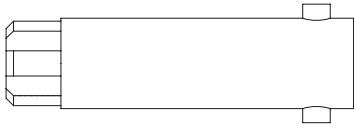
---



Tailpiece for Maxum® Deadbolt Lock, outside cylinder, 1.430" length for doors over 1 3/4" thick

**CT-Y61**

---



Thumbturn Tailpiece for Maxum® Deadbolt lock for 2 1/4" - 2 1/2" thick door (Includes: CP-281350 & CT-Y63)

**CT-F42**

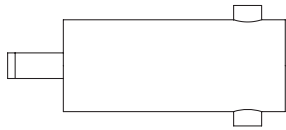
---



2" - 2 1/4" Thick doors tTailpiece for deadlatch

**CT-V23**

---



Thumbturn Tailpiece for Classroom Function Maxum® Deadbolt lock, thumbturn, for 1 3/4" - 2" thick doors

**CT-F43**

---



1 5/8" - 1 7/8" thick doors tailpiece for deadlatch

**CT-V24**

---



Thumbturn Tailpiece for Classroom Function Maxum® Deadbolt lock for doors 2 1/4" - 2 1/2" thick doors

**CT-F44**

---



1/C Tailpiece for deadlatch

**CT-V25**

---



Tailpiece for Maxum® Deadbolt lock, outside cylinder, .532" length, for doors up to 1 3/4" thick

**CT-Y60**

---



## *Surface Mounted Deadbolt Locks*

**Auxiliary surface mount locks like the Segal® Deadbolt,** provide vise like strength that interlocks any door to its frame, virtually eliminating the risk of a thief “jimmying” a door from the frame. The concept of a surface mounted lock was invented in 1912 by a New York City Police officer, Samuel Segal, and continues as one of the best ways to physically secure a door. These locks are often used to preserve the classic appearance of historic homes. Perfect for wood or steel doors, surface mount locks are also commonly used on apartment doors where drilling a large hole for a standard tubular deadbolt is impractical.



The Segal Interlocking deadbolt features the “shutterguard” protection from intrusion if the outside rim cylinder is forcibly removed. Additionally, the BodyGuard® cylinder guard plate option, available with SteelGuard provides additional strength and offers further protection against chiseling, pulling, hammering, and drilling attacks.

### **Did you know...**

A door is “jimmied” when its frame is spread far enough to allow the knob to latch or deadbolt to pull away from the strike, allowing the door to swing open. An interlocking deadbolt prevents this type of attack.