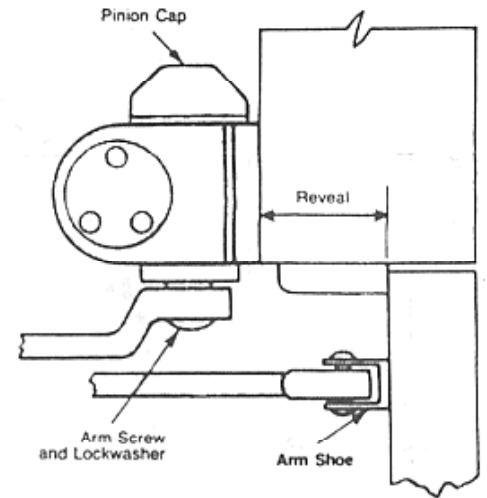
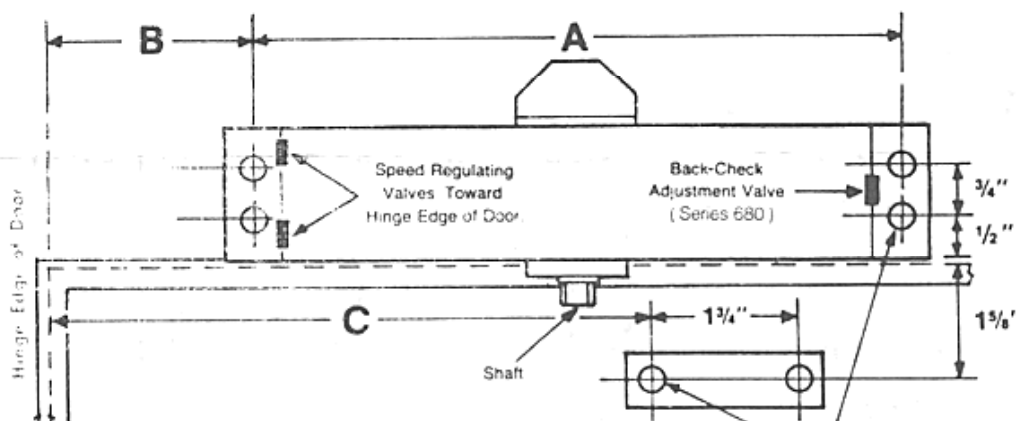


THIS TEMPLATE COVERS REGULAR ARM INSTALLATIONS TO 180° OPENINGS.

Reveals of 2 3/4" to 6" require "Top Jamb" Forearm Extender Accessory and must be ordered extra.



6 HOLES for #14 All-Purpose or 1/4-20 Machine Screws. 4 for Closer and 2 for Arm Shoe as shown.

Closer Size	A	FOR OPENING TO 120°		FOR OPENING 120° - 180°	
		B	C	B	C
2 & 3	8 3/16"	5 13/16"	12"	4 1/8"	10 5/16"
4 & 5	9 1/16"	5 3/8"	12"	3 11/16"	10 5/16"

LEFT HAND DOOR ILLUSTRATED.
Same dimensions apply for Right Hand Door measured from hinge edge.

INSTALLATION INSTRUCTIONS

- Select degree of opening and use dimensions shown in above chart to mark four holes on frame for closer and two holes on door for arm shoe.
- Drill pilot holes in door and frame for #14 all-purpose screws or drill and tap for 1/4-20 machine screws.
- Mount closer on frame WITH SPEED REGULATING VALVES TOWARD HINGE EDGE.
- Place main arm on shaft at bottom of closer at proper index mark as illustrated. FOR LEFT HAND DOOR No. 1 (Illustration "A") FOR RIGHT HAND DOOR No. 4 (Illustration "B"). Tighten arm screw with lockwasher securely.
- Attach the arm shoe of the forearm to the door.
- Adjust length of forearm so when it is attached to main arm it will be at a right angle (90°) to door when door is closed, then assemble at elbow and tighten locknut.
- Snap pinion cap over shaft at top of closer.

ADJUSTMENT INSTRUCTIONS

SPEED—Door closing speed is controlled by Regulating Valve No. 1

CLOCKWISE turns slow closing speed.

COUNTERCLOCKWISE turns increase closing speed.

LATCHING—Latching action is controlled by Regulating Valve No. 2

CLOCKWISE turns slow latch speed.

COUNTERCLOCKWISE turns increase latch speed.

BACK-CHECK — (Series 680) —is controlled by the Back-Check Adjustment Valve marked BC on the closer. Back-Check is now set for a soft action.

To INCREASE Back-Check action turn valve CLOCKWISE.

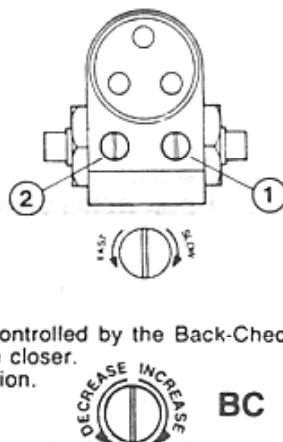
NOTE: Never close Valve completely.

To DECREASE, or to TURN OFF Back-Check action turn valve COUNTERCLOCKWISE.

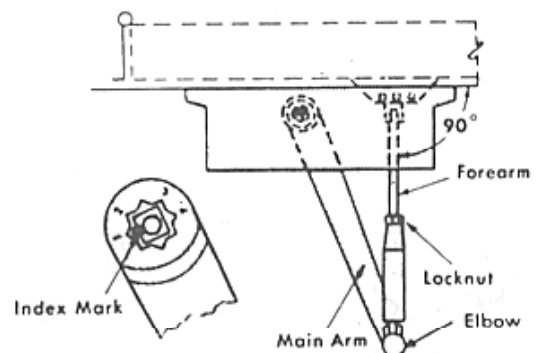
POWER ARM SHOE — Is now set for average Closing Power.

If more Closing Power is required, move Forearm from center hole in Arm Shoe to hole closest to Main Arm.

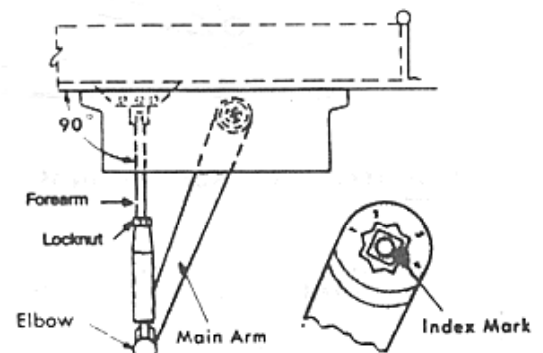
If less Closing Power is required, move Forearm to hole farthest from Main Arm.



POSITION OF ARMS AND INDEX SETTINGS



Left hand door, use index mark 1
ILLUSTRATION "A"



Right hand door, use index mark 4
ILLUSTRATION "B"