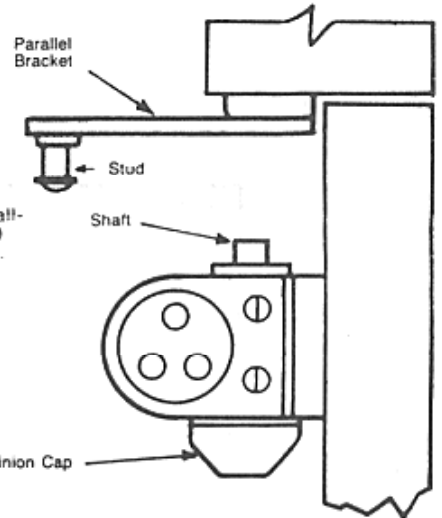
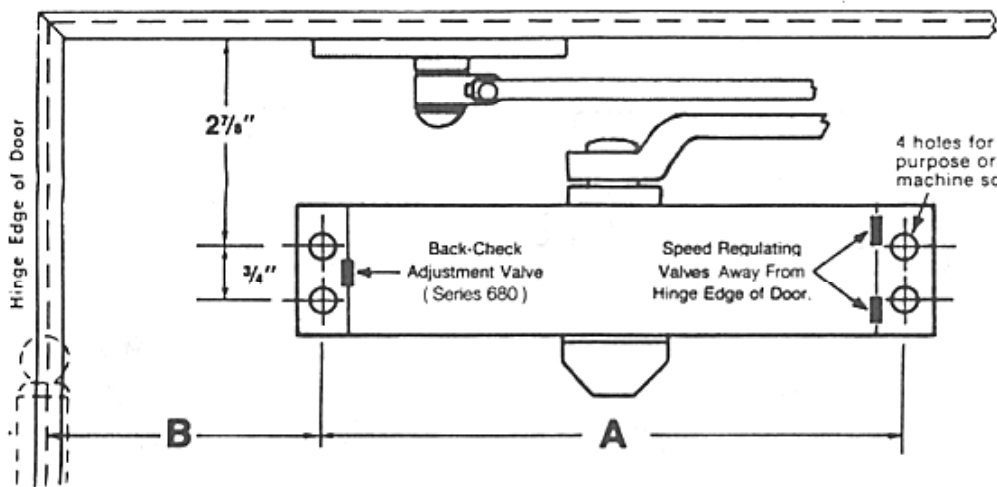


# PARALLEL ARM INSTALLATION

## CLOSER MOUNTED ON DOOR ON PUSH SIDE

**THIS TEMPLATE COVERS REGULAR PARALLEL ARM INSTALLATIONS TO 180° OPENINGS.**

Parallel bracket accessory required and must be ordered extra.



Buy Online:  
[www.MrLock.com](http://www.MrLock.com)

LEFT HAND DOOR ILLUSTRATED.  
Same dimensions apply for Right Hand Door  
measured from hinge edge.

Closer Size	A	FOR OPENING TO 120°		FOR OPENING 120° - 180°	
		B	C	B	C
2 & 3	8 <sup>3</sup> / <sub>16</sub> "	7 <sup>15</sup> / <sub>16</sub> "	8 <sup>5</sup> / <sub>8</sub> "	6 <sup>7</sup> / <sub>16</sub> "	7 <sup>1</sup> / <sub>8</sub> "
4 & 5	9 <sup>1</sup> / <sub>16</sub> "	7 <sup>1</sup> / <sub>2</sub> "	8 <sup>5</sup> / <sub>8</sub> "	6"	7 <sup>1</sup> / <sub>8</sub> "

### INSTALLATION INSTRUCTIONS

1. Select degree of opening and use dimensions shown in above chart to mark four holes on door for closer and four holes on frame for parallel bracket.
2. Drill pilot holes in door and frame for #14 all-purpose screws or drill and tap for 1/4-20 machine screws.
3. Mount closer on door WITH SPEED REGULATING VALVES AWAY FROM HINGE EDGE.
4. Attach parallel bracket to door stop as illustrated.
5. Using a wrench on the square shaft at bottom of closer, rotate shaft approximately 45° toward hinge edge of door. Hold and place main arm on shaft on top of closer at proper index mark as illustrated. FOR LEFT HAND DOOR No. 3 (Illustration "A"). FOR RIGHT HAND DOOR No. 2 (Illustration "B"). Tighten arm screw with lockwasher securely.
6. Remove the arm shoe from the forearm (arm shoe is not used in this application) and place forearm on parallel bracket stud and tighten screw securely.
7. Adjust length of forearm so when it is attached to main arm, the main arm will be slightly away from parallel when door is closed, then assemble at elbow and tighten locknut.
8. Snap pinion cap over shaft at bottom of closer.

### ADJUSTMENT INSTRUCTIONS

**SPEED**—Door closing speed is controlled by Regulating Valve No. 1

**CLOCKWISE** turns slow closing speed.  
**COUNTERCLOCKWISE** turns increase closing speed.

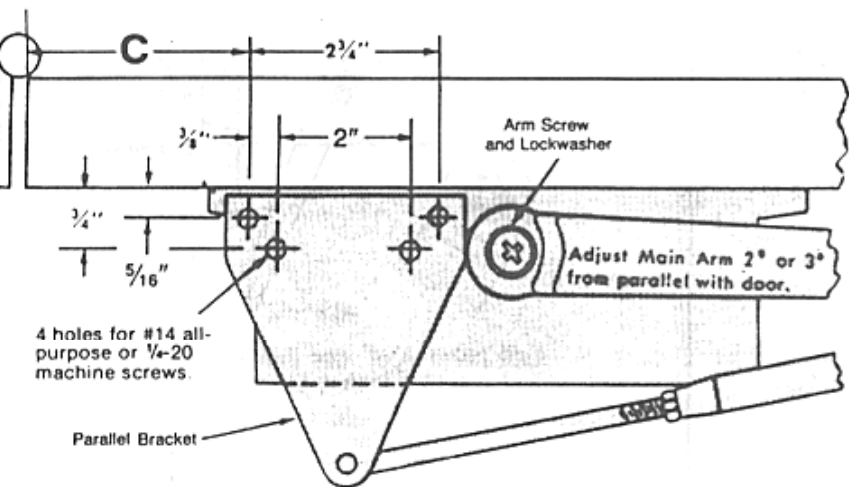
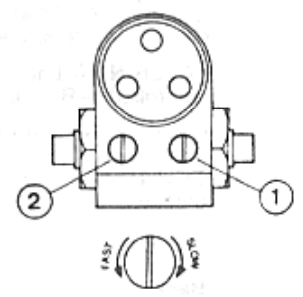
**LATCHING**—Latching action is controlled by Regulating Valve No. 2

**CLOCKWISE** turns slow latch speed.  
**COUNTERCLOCKWISE** turns increase latch speed.

**BACK-CHECK** — (Series 680) —is controlled by the Back-Check Adjustment Valve marked **BC** on the closer. Back-Check is now set for a soft action.

To **INCREASE** Back-Check action turn valve **CLOCKWISE**.

**NOTE:** Never close Valve completely. To **DECREASE**, or to **TURN OFF** Back-Check action turn valve **COUNTERCLOCKWISE**.



### POSITION OF ARMS AND INDEX SETTINGS

