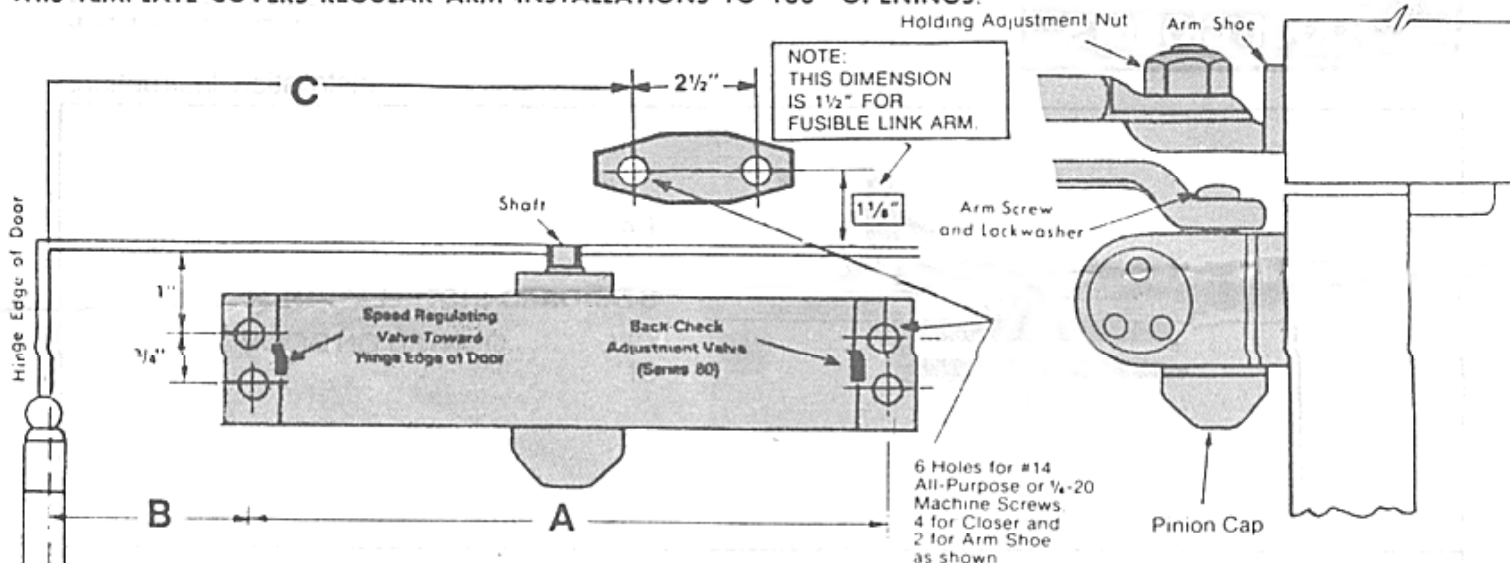


# STANDARD INSTALLATION CLOSER MOUNTED ON DOOR ON PULL SIDE

THIS TEMPLATE COVERS REGULAR ARM INSTALLATIONS TO 180° OPENINGS.

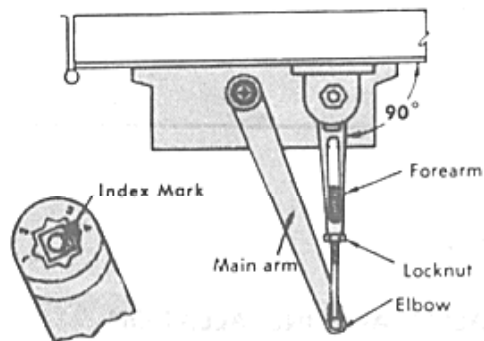


Buy Online:  
[www.MrLock.com](http://www.MrLock.com)

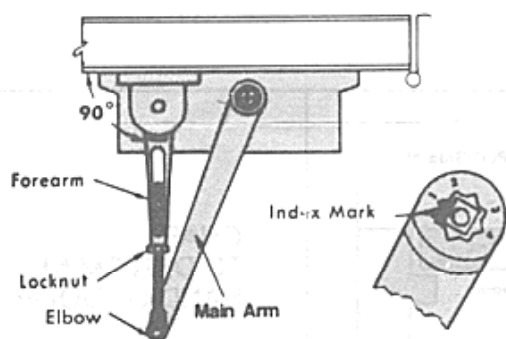
RIGHT HAND DOOR ILLUSTRATED.  
Same dimensions apply for Left Hand Door  
measured from hinge edge.

Closer Size	A	FOR OPENING TO 120°		FOR OPENING 120° - 180°	
		B	C	B	C
2	7 3/8"	6 1/8"	11 1/2"	4 3/8"	9 1/8"
3 and Series 750 & 780	8 3/8"	5 5/8"	11 1/2"	3 7/8"	9 1/8"
4 & 5	9 1/8"	5 1/4"	11 1/2"	3 7/8"	9 1/8"

## POSITION OF ARMS AND INDEX SETTINGS



Right hand door, use index mark 4  
ILLUSTRATION "A"



Left hand door, use index mark 1  
ILLUSTRATION "B"

## INSTALLATION INSTRUCTIONS.

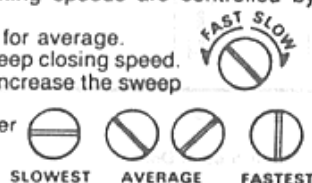
- Select degree of opening and use dimensions shown in above chart to mark four holes on door for closer and two holes on frame for arm shoe.
- Drill pilot holes in door and frame for #14 all-purpose screws or drill and tap for 1/4-20 machine screws.
- Mount closer on door WITH SPEED REGULATING VALVE TOWARD HINGE EDGE.
- Place main arm on shaft on top of closer at proper index mark as illustrated. FOR RIGHT HAND DOOR No. 4 (Illustration "A") FOR LEFT HAND DOOR No. 1 (Illustration "B"). Tighten arm screw with lockwasher securely.
- Attach the arm shoe of the forearm to the frame.
- Adjust length of forearm so when it is attached to main arm it will be at a right angle (90°) to door when door is closed and assemble at elbow then tighten locknut.
- Snap pinion cap over shaft at bottom of closer.

## ADJUSTMENT INSTRUCTIONS

**SPEED** — Door closing and latching speeds are controlled by the Speed Regulating Valve.

Closing and Latching are now set for average.  
CLOCKWISE half turns slow the sweep closing speed.  
COUNTERCLOCKWISE half turns increase the sweep closing speed.

A partial turn, Very Slightly in either direction regulates Slow or Fast latching action.



**BACK-CHECK** — (Series 80) — is controlled by the Back-Check Adjustment Valve marked BC on the closer.

Back-Check is now set for a soft action.  
To INCREASE Back-Check action turn valve CLOCKWISE.

NOTE: Never close Valve completely.

To DECREASE, or to TURN OFF Back-Check action turn valve COUNTERCLOCKWISE.



**HOLD-OPEN ARM** - Open door to desired degree and tighten Holding Adjustment Nut until door holds open.