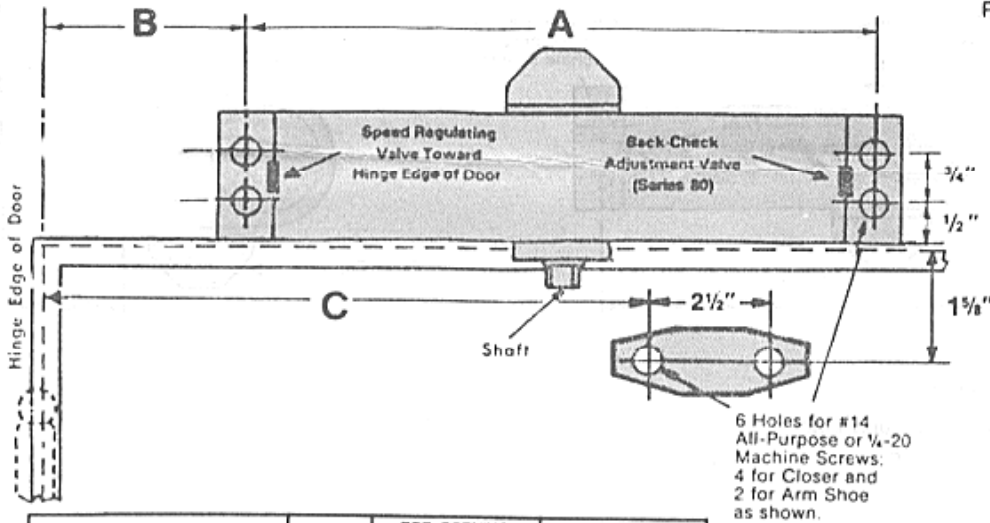


# TOP JAMB INSTALLATION CLOSER MOUNTED ON TOP JAMB ON PUSH SIDE OF DOOR

**THIS TEMPLATE COVERS REGULAR ARM INSTALLATIONS TO 180° OPENINGS.**

Reveals of 2 3/4" to 6" require "Top Jamb" Forearm Extender Accessory and must be ordered extra.

Buy Online:  
[www.MrLock.com](http://www.MrLock.com)



Closer Size	A	FOR OPENING TO 120°		FOR OPENING 120°.-180°	
		B	C	B	C
2	7 3/8"	5 13/16"	11 1/4"	4 1/8"	9 1/8"
3 and Series 750 & 780	8 3/16"	5 7/16"	11 1/4"	3 3/4"	9 1/8"
4 & 5	9 1/8"	5"	11 1/4"	3 5/16"	9 1/8"

LEFT HAND DOOR ILLUSTRATED.  
Same dimensions apply for Right Hand Door  
measured from hinge edge

### INSTALLATION INSTRUCTIONS

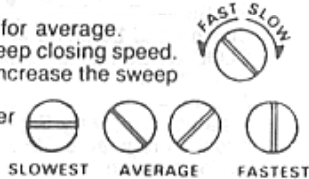
1. Select degree of opening and use dimensions shown in above chart to mark four holes on frame for closer and two holes on door for arm shoe.
2. Drill pilot holes in door and frame for #14 all-purpose screws or drill and tap for 1/4-20 machine screws.
3. Mount closer on frame WITH SPEED REGULATING VALVE TOWARD HINGE EDGE.
4. Place main arm on shaft on bottom of closer at proper index mark as illustrated. FOR LEFT HAND DOOR No. 1 (Illustration "A") FOR RIGHT HAND DOOR No. 4 (Illustration "B"). Tighten arm screw with lockwasher securely.
5. Attach the arm shoe of the forearm to the door.
6. Adjust length of forearm so when it is attached to main arm it will be at a right angle (90°) to door when door is closed and assemble at elbow then tighten locknut.
7. Snap pinion cap over shaft at top of closer.

### ADJUSTMENT INSTRUCTIONS

**SPEED** — Door closing and latching speeds are controlled by the Speed Regulating Valve.

Closing and Latching are now set for average.  
CLOCKWISE half turns slow the sweep closing speed.  
COUNTERCLOCKWISE half turns increase the sweep closing speed.

A partial turn, Very Slightly in either direction regulates Slow or Fast latching action.



**BACK-CHECK** — (Series 80) — is controlled by the Back-Check Adjustment Valve marked BC on the closer.

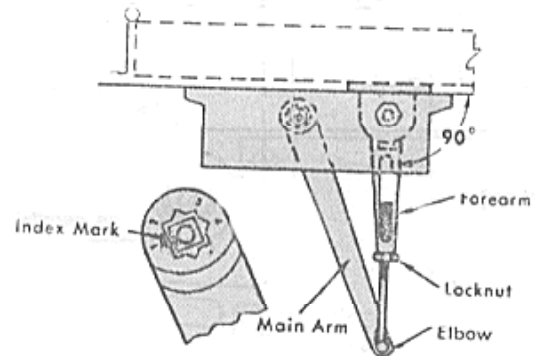
Back-Check is now set for a soft action.  
To INCREASE Back-Check action turn valve CLOCKWISE.

NOTE: Never close Valve completely.

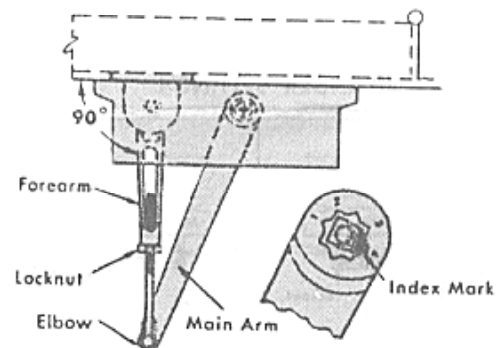
To DECREASE, or to TURN OFF Back-Check action turn valve COUNTERCLOCKWISE.



### POSITION OF ARMS AND INDEX SETTINGS



Left hand door, use index mark 1  
ILLUSTRATION "A"



Right hand door, use index mark 4  
ILLUSTRATION "B"

**HOLD-OPEN ARM** - Open door to desired degree and tighten Holding Adjustment Nut until door holds open.