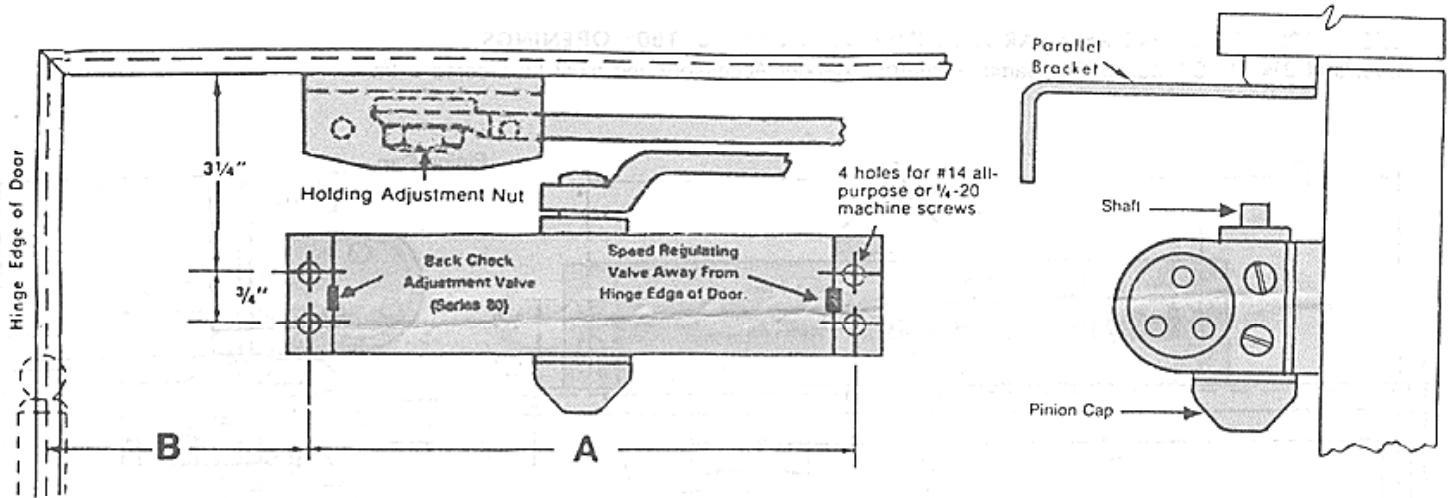


PARALLEL ARM INSTALLATION CLOSER MOUNTED ON DOOR ON PUSH SIDE

THIS TEMPLATE COVERS REGULAR PARALLEL ARM INSTALLATIONS TO 180° OPENINGS

Parallel bracket accessory required and must be ordered extra.



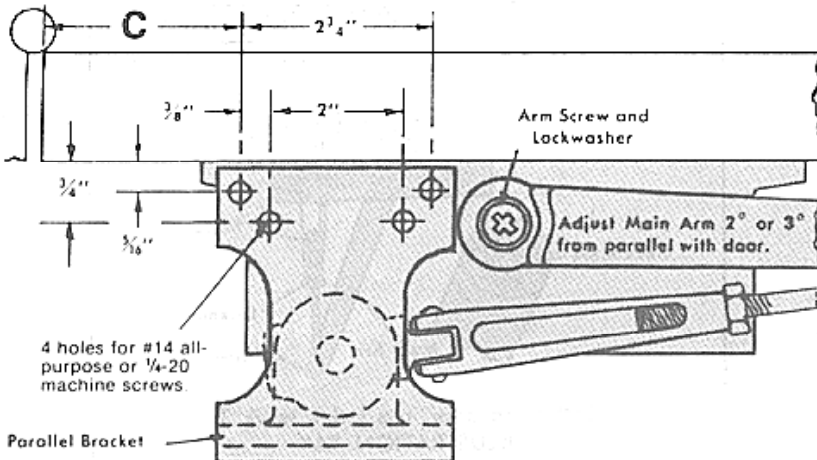
LEFT HAND DOOR ILLUSTRATED.
Same dimensions apply for Right Hand Door
measured from hinge edge.

Buy Online:
www.MrLock.com

Closer Size	A	FOR OPENING TO 120°		FOR OPENING 120° - 150°	
		B	C	B	C
2	7 3/8"	8 1/16"	8 7/8"	7 5/16"	7 5/8"
3 and Series 750 & 780	8 3/16"	8 3/16"	8 7/8"	6 15/16"	7 5/8"
4 & 5	9 1/16"	7 3/4"	8 7/8"	6 1/2"	7 5/8"

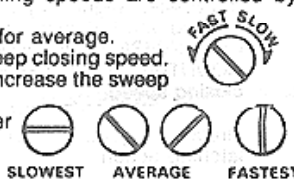
INSTALLATION INSTRUCTIONS

1. Select degree of opening and use dimensions shown in above chart to mark four holes on door for closer and four holes on frame for parallel bracket.
2. Drill pilot holes in door and frame for #14 all-purpose screws or drill and tap for 1/4-20 machine screws.
3. Mount closer on door WITH SPEED REGULATING VALVE AWAY FROM HINGE EDGE.
4. Attach parallel bracket to door stop as illustrated.
5. Using a wrench on the square shaft at bottom of closer, rotate shaft approximately 45° toward hinge edge of door. Hold and place main arm on shaft on top of closer at proper index mark as illustrated. FOR LEFT HAND DOOR No. 3 (Illustration "A"). FOR RIGHT HAND DOOR No. 2 (Illustration "B"). Tighten arm screw with lockwasher securely.
6. Remove the arm shoe from the forearm (arm shoe is not used in this application) and place forearm on parallel bracket stud and tighten screw securely.
7. Adjust length of forearm so when it is attached to main arm, the main arm will be slightly away from parallel with closed door, and assemble at elbow then tighten locknut.
8. Snap pinion cap over shaft at bottom of closer.



ADJUSTMENT INSTRUCTIONS

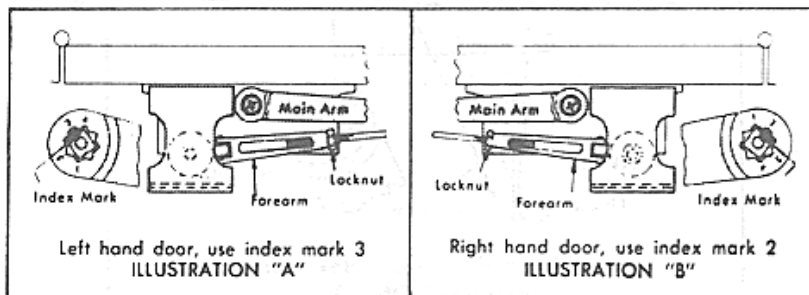
SPEED — Door closing and latching speeds are controlled by the Speed Regulating Valve. Closing and Latching are now set for average. **CLOCKWISE** half turns slow the sweep closing speed. **COUNTERCLOCKWISE** half turns increase the sweep closing speed. A partial turn, Very Slightly in either direction regulates Slow or Fast latching action.



BACK-CHECK — (Series 80) — is controlled by the Back-Check Adjustment Valve marked BC on the closer. Back-Check is now set for a soft action. To **INCREASE** Back-Check action turn valve **CLOCKWISE**. **NOTE:** Never close Valve completely. To **DECREASE**, or to **TURN OFF** Back-Check action turn valve **COUNTERCLOCKWISE**.



POSITION OF ARMS AND INDEX SETTINGS



HOLD-OPEN ARM - Open door to desired degree and tighten Holding Adjustment Nut until door holds open.