

100/200 Deadbolt Lock

Small Pin National Keyway

General Features:

Rekeyable: Easily rekeyable via set screw cylinder release mechanism
 Certifications: Tested to ANSI/BHMA A156.11 Grade 1 cycle testing. Withstood in excess of 40,000 cycles with no damage. All other requirements of ANSI/BHMA A156.11, no less than Grade 2 performance was attained.
 US Patent Nos: 4,899,563; 4,920,774
 Body: Zinc die cast lock body
 Cylinder: Solid brass pin tumbler cylinder
 Barrel diameter: 7/8"
 Includes: 56-1 bar strike
 Finish: 26D, US4 or 10B
 Packaging: Packed 10 per box

Keying Information:

Keyway: National D4291 (4 pin) or D4292 (5 pin) keyway
 Stock keying: KD/KA - 4 pin standard
 Stock KA# 101, 103, 107, 915
 Masterkeying: 5 pin standard
 Keyblank 4-pin: KBN-4-NP
 Keyblank 5-pin: KBN-5-NP

Optional Accessories:

WP21, WP22, WP23 spacers
 07S, 12-1, 12-2 strikes
 TR1256 trim rings
 Through-bolt plate ETS2, trim pull ETS2-PL and template ETST2 for through-bolt mount

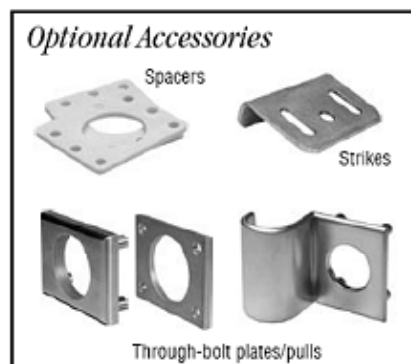
See Also:

Installation notes
 Rekeying instructions
 Architectural specifications



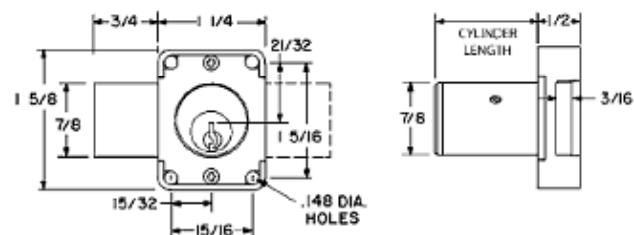
Item	Function	Finish	Cyl. Length	Keying
100DR	Door	26D, US4, 10B	15/16"	KD, KA# 101,103,107,915 Custom Keyed
100DR	Door	26D, US4	1-3/8"	KD, KA# 101,103,107,915 Custom Keyed

Item	Function	Finish	Cyl. Length	Keying
200DW	Drawer	26D, US4, 10B	15/16"	KD, KA# 101,103,107,915 Custom Keyed
200DW	Drawer	26D, US4, 10B	1-3/8"	KD, KA# 101,103,107,915 Custom Keyed
200DW	Drawer	26D	1-5/8"	KD, KA# 101,103,107,915 Custom Keyed

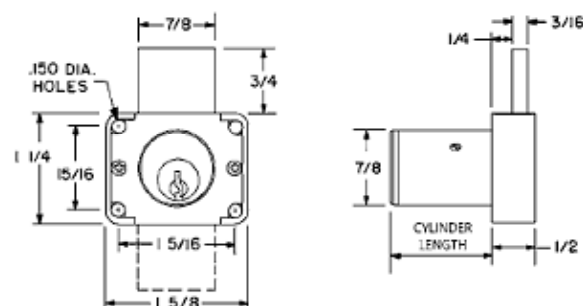


See the [Parts & Accessories](#) section for a complete listing of optional accessories.

100DR Dimensions



200DW Dimensions



Purchase Online:
www.MrLock.com