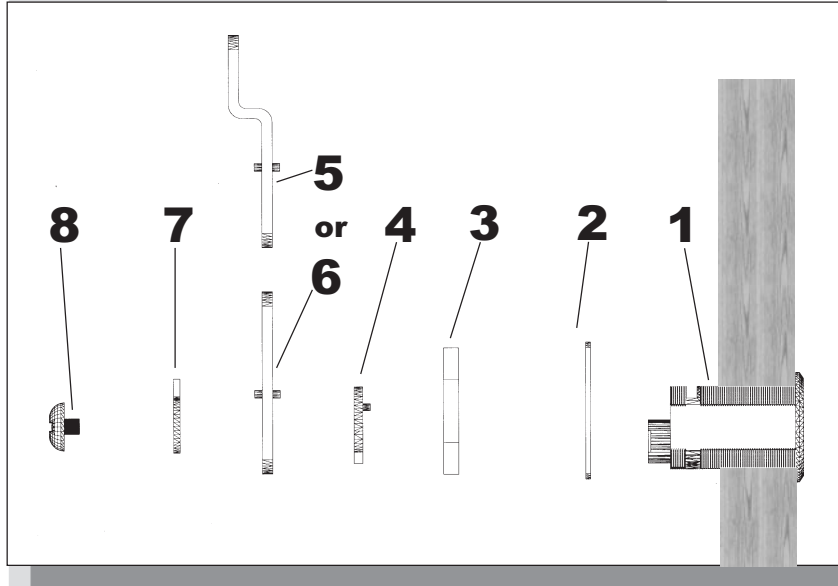


Installation Instructions

OLYMPUS DCN/DCR CAM LOCK



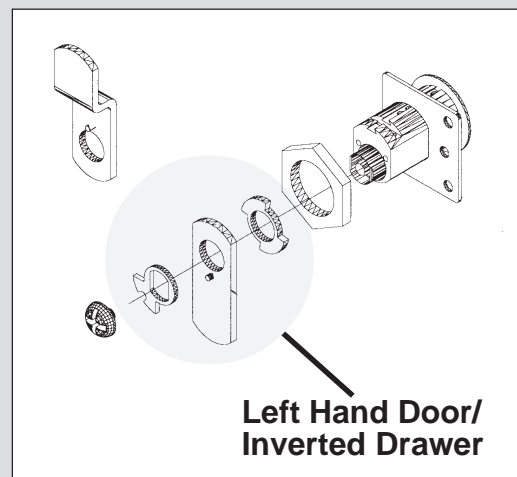
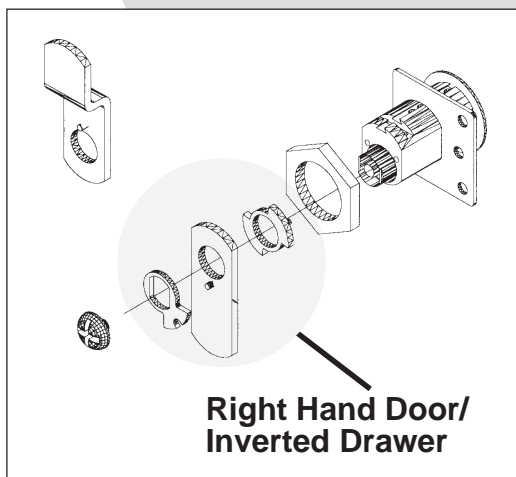
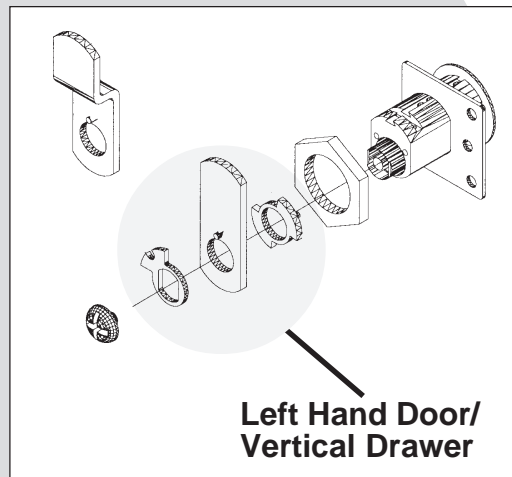
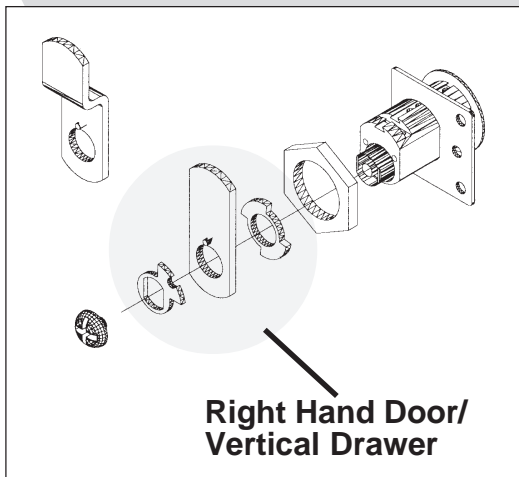
Instructions

1. Insert lock into 3/4" bore
2. Slide anti-rotation plate (2) onto back of lock
3. Thread fixing nut (3) onto lock
4. Fasten plate to cabinet using wood screws. *Note: Use middle hole to retain fixing nut*
5. Insert cam stop (4) with pin in "1" or "2" position (see back of lock)
6. Choose straight or bent cam (5 or 6).

Bent cam works for inbent and outbent functions

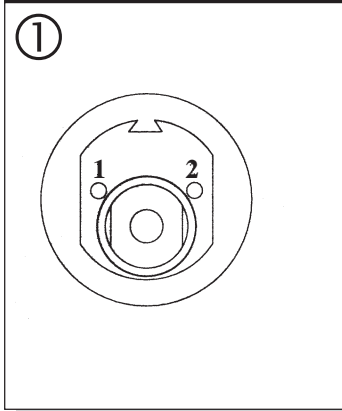
7. Install cam driver (7) so that the brass pin on the cam is trapped when the key is removed

8. Install final assembly screw (8) and tighten



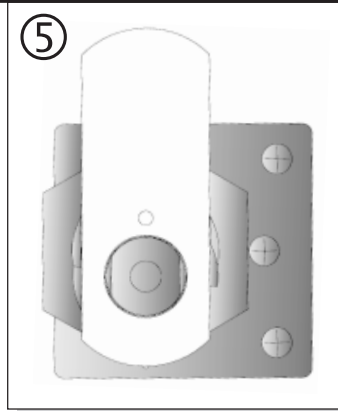
Installation Instructions

OLYMPUS DCN/DCR CAM LOCK



1 Prep cabinet

Note: 3/4" bore required
New 1" face on lock
eliminates the need for a
trim ring.

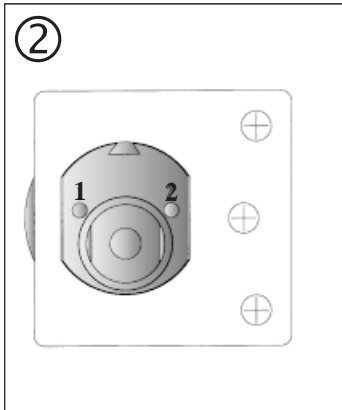


5

Choose cam from the two
cams provided—one
straight and one offset.

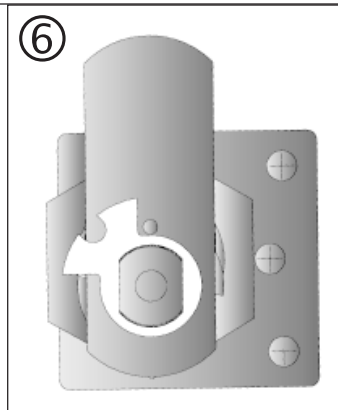
Offset cam provides both
inbent and outbent func-
tions.

Place cam on lock in
vertical or inverted posi-
tion, depending on desired
locking position.



2

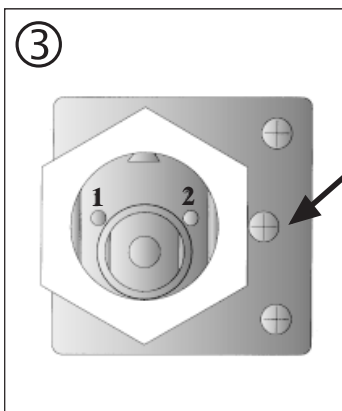
Insert lock in cabinet and
attach anti-rotation plate
using top and bottom
screws only.



6

Install cam driver so that
brass pin on the cam is
trapped when the key is
removed.

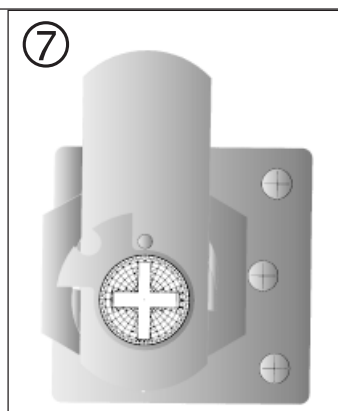
Note: If the cam falls to the
unlocked position when
the key is removed,
reposition the cam driver.



3

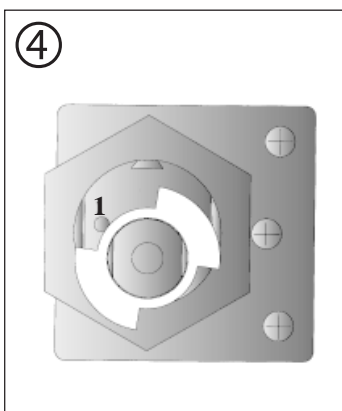
Add fixing nut

Note: The middle hole on
plate is for a retaining
screw that prevents the
fixing nut from coming
loose.



7

Install final assembly screw
and tighten.



4

Insert cam stop with pin
in "1" or "2" position (see
back of lock).

Note: The "1" position is
for right-hand vertical and
left-hand inverted use.
The "2" position is for
left-hand vertical and
right-hand inverted use.

