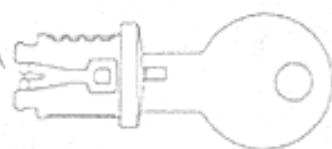


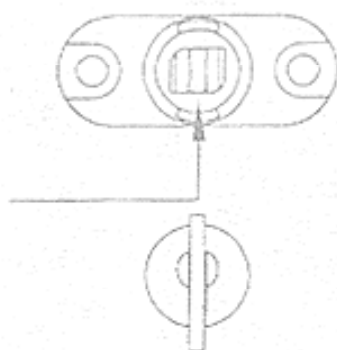
# TIMBERLINE SNAP-IN LOCK PLUGS

1. IF YOUR LOCK PLUGS HAVE THIS DETAIL ON THE SIDE ... THEY ARE NEW SNAP-IN PLUGS

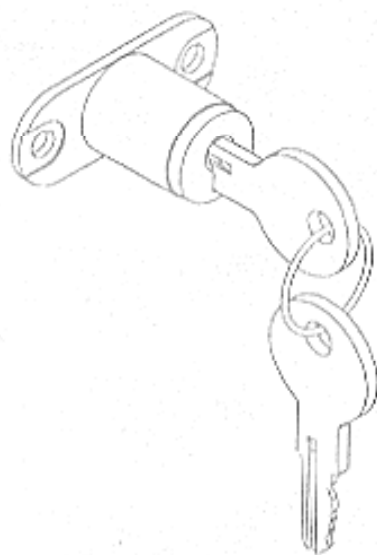
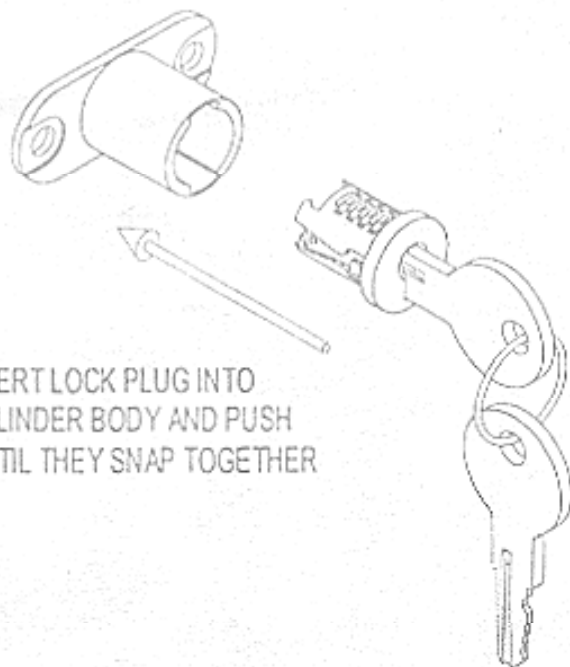


THESE PLUGS SNAP IN TO ALL CYLINDER BODIES WITHOUT USING A CHANGE TOOL

2. TO INSTALL:  
LINE UP LOCK PLUG SO THAT KEY LINES UP WITH NOTCH IN CYLINDER BODY



3. INSERT LOCK PLUG INTO CYLINDER BODY AND PUSH UNTIL THEY SNAP TOGETHER



**Timberline Lock, Ltd.**

