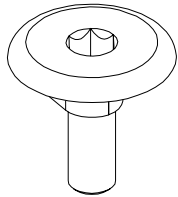


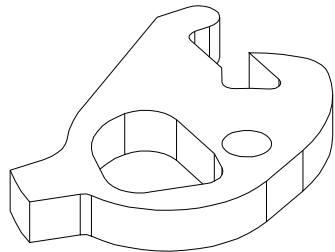
# DOR-O-MATIC

## 1390 Dogging Kit Instruction

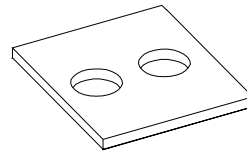
### PARTS LIST



Dogging cam  
(4270102815)



Activating cam  
(4270106551)



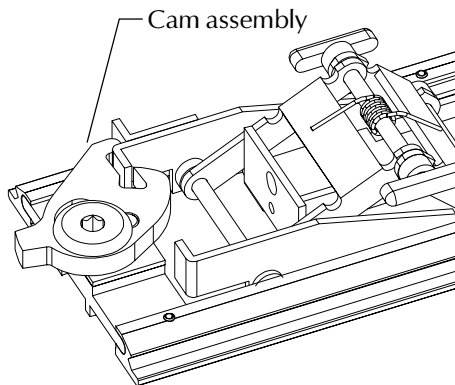
Spacer  
(4270108584)



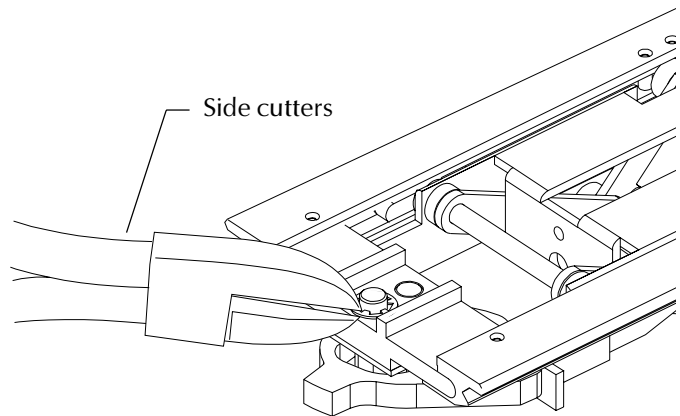
Retaining ring  
(4299100732)

### DOGGING REMOVAL

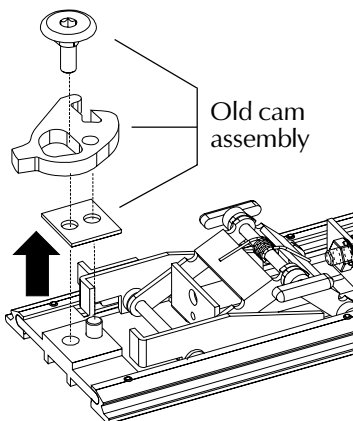
- 1** Remove device from door (refer to device manual) and remove cover to expose cam assembly.



- 2** Cut retaining ring on backside of device (rod end) with side cutters and remove.

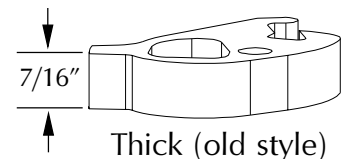


- 3** Remove old cam assembly.

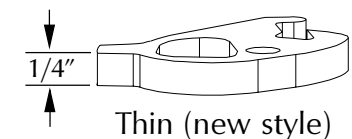


- 4** Compare thickness of old activating cam to new activating cam. New cam is 1/4" thick.

If old cam is thick style, go to step **5**.



If old cam is thin style, go to step **6**.

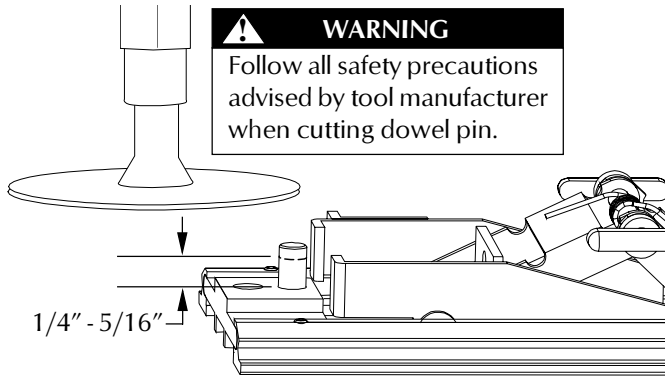


# DOGGING INSTALLATION

**5**

**NOTE**  
This step only required if new activating cam is thinner than old activating cam. If cams are same thickness, go to step 6.

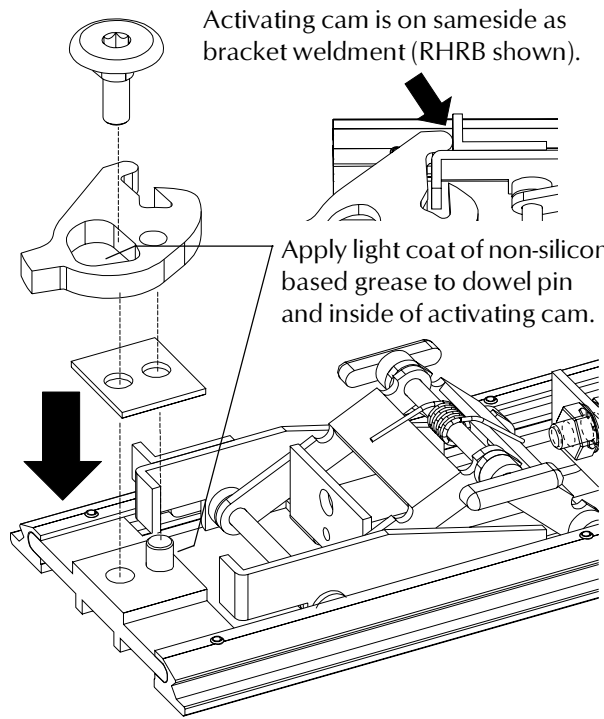
- Remove excess material from dowel pin.
- 5.1. Use dremmel or equivalent cutting tool to remove unnecessary material from dowel pin. Pin should be cut to approximately 1/4" - 5/16" above device surface and be deburred.
  - 5.2. Clean device of shavings and any debris from cutting.



**WARNING**  
Follow all safety precautions advised by tool manufacturer when cutting dowel pin.

**6**

Place new spacer, activating cam, and dogging cam on device (verify activating cam is in correct handing position).

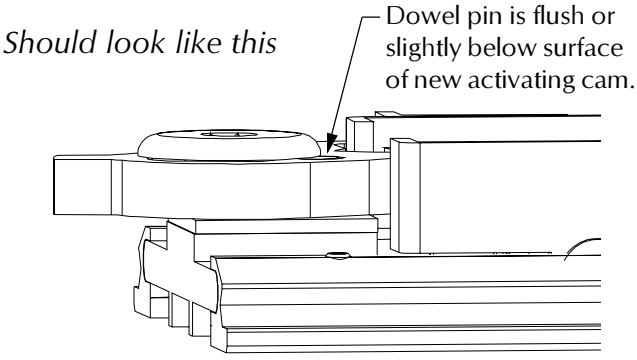


Activating cam is on same side as bracket weldment (RHRB shown).

Apply light coat of non-silicon based grease to dowel pin and inside of activating cam.

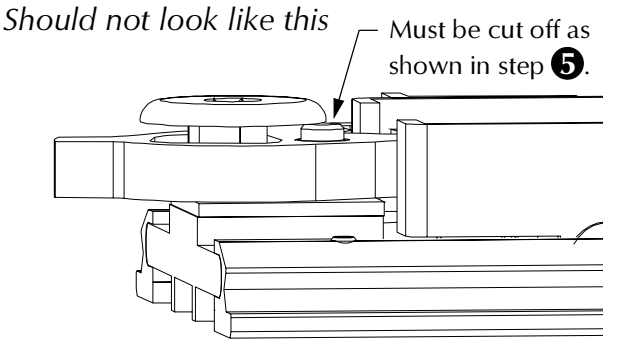
**7**

Verify dowel pin length is correct.



*Should look like this*

Dowel pin is flush or slightly below surface of new activating cam.



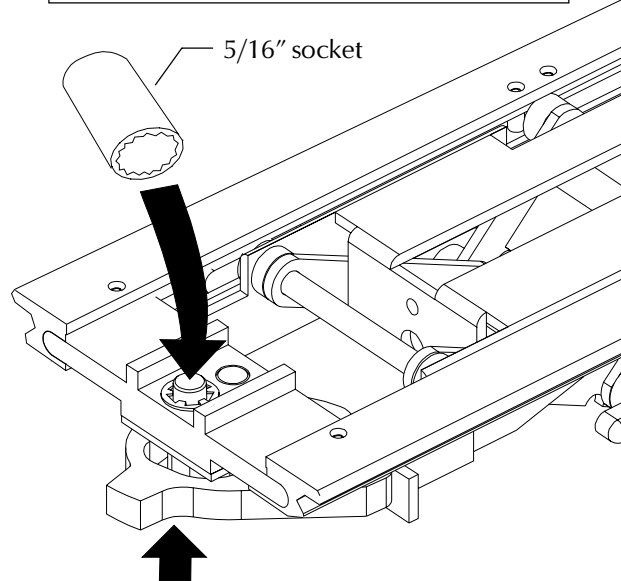
*Should not look like this*

Must be cut off as shown in step 5.

**8**

Install new retaining ring over new dogging cam using a hammer and 5/16" socket. Support back of device while driving the ring into place.

**NEW RETAINING RING MUST BE USED WITH NEW DOGGING CAM.**



5/16" socket

**9**

Reassemble device and replace device on door (refer to device manual).

Verify retaining ring is snug after installation and cam pivots freely.