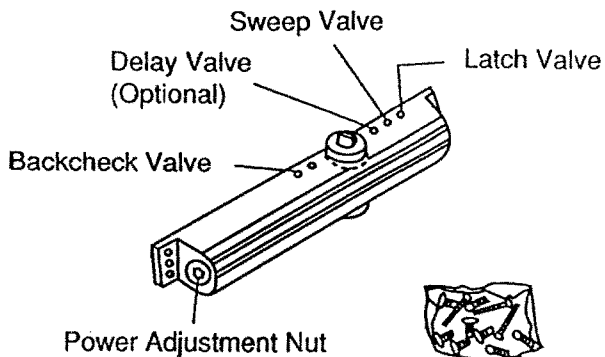
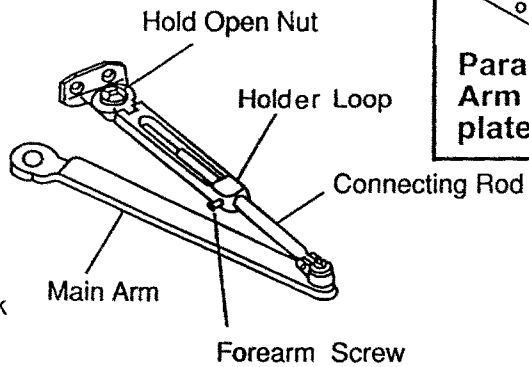


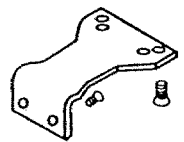
Components



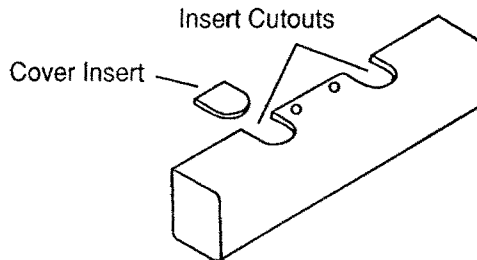
Closer Body



Closer Arm



Parallel Arm Adaptor plate



Standard Full Cover

Preparation for Fasteners

	Fasteners	Door or Frame	Drill- Sizes
Standard	# 14 type "A" S.M. screw Arm: 1-1/4" (32mm) Closer: 1-1/2" (38mm)	Wood	7/32" (5.50mm)
	1/4" -20 machine screw	Metal	drill: #7 (.201" dia.) tap: 1/4" -20
Optional	Sex nuts and bolts	Hollow Metal	9/32" (7.00mm) through 3/8" (9.50mm) on door opposite to closer
		Aluminum or Wood	3/8" (9.50mm) through
	Through - bolts and grommet - nuts	All	9/32" (7.00mm) through 3/8" (9.50mm) dia. X 3/8" (9.50mm) deep on door opposite to closer