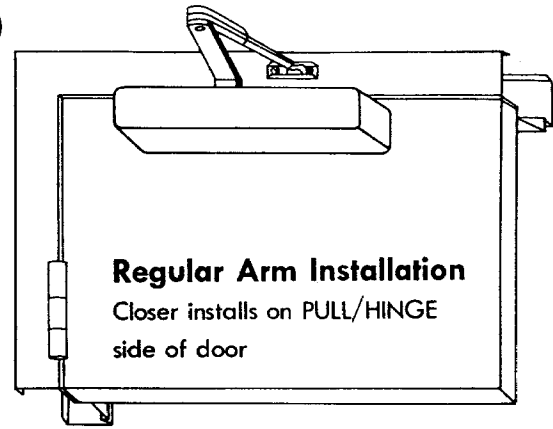
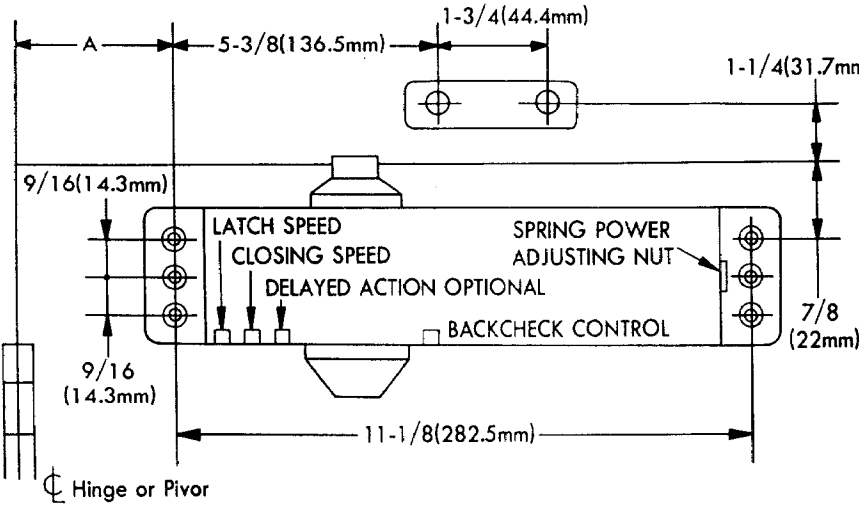




**Surface Mounted**  
**Adjustable & Preset "Back-Check"**  
**900 Series**  
**No Hold-Open/Hold-Open**  
**Optional BF/DA**

# Installation Instructions for REGULAR ARM(PULL SIDE) Mounting



OPENING	DIM. A
To 120°	7-3/32(180mm)
120°-180°	3-15/16(100mm)

- Right hand door shown
- Left hand door opposite
- Dimensions are in inches
- Drawing not to scale

## INSTALLATION INSTRUCTIONS

1. Select degree of opening from table and use template dimensions shown in above, mark six (6) holes on door for door closer and two (2) holes on frame for arm shoe.
2. Drill pilot holes in door and frame for #14 all-purpose screws or drill and tap for 1/4-20 machine screws.
3. Install adjustable forearm/arm shoe assembly to frame using screws provided.
4. Install main arm to top pinion shaft using screw provided.
5. Mount closer on door using screws provided. SPRING POWER ADJUSTING NUT MUST BE POSITIONED AWAY FROM HINGE EDGE.
6. Adjust length of adjustable forearm so that adjustable forearm is **perpendicular** to frame when assembled to preloaded main arm (Illustration below) Secure forearm to main arm with screw provided.
7. Snap pinion cap over shaft at bottom of closer. (When using full cover. pinion cap is not necessary)
8. Adjust closing speed, back check control and spring power of door, following instructions as shown page 4.

## Top View Typical Installation

