

Installation Instructions

DL4100 Series Auxiliary Deadlock
FM 338 2/11



ASSA ABLOY

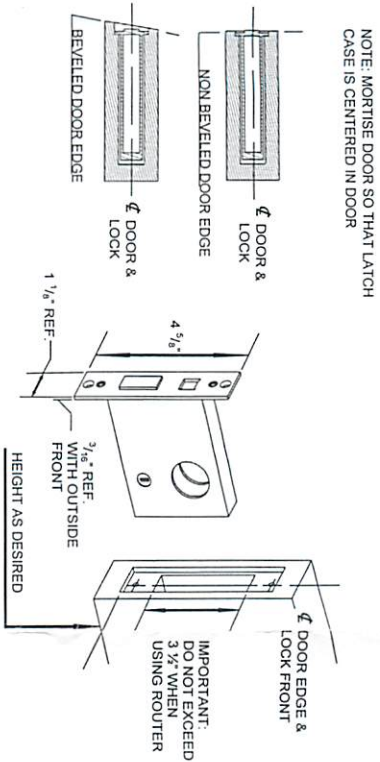
In U.S.:
Corbin Russwin, Inc.
225 Episcopal Road
Berlin, CT 06037 USA
Phone: 800-543-3658

In Canada:
ASSA ABLOY Door Security Solutions Canada
160 Four Valley Drive
Vaughan, Ontario, Canada L4K 4T9
Phone: 800-461-3007

Technical Product Support: Phone: 888-607-5703

A EXAMINE LOCKSET TO MAKE SURE IT IS THE CORRECT BEVEL FOR DOOR. IF NOT, LOOSEN SCREWS (FASTENING FRONT TO CASE), ROTATE FRONT TO PROPER BEVEL & RETIGHTEN SCREWS

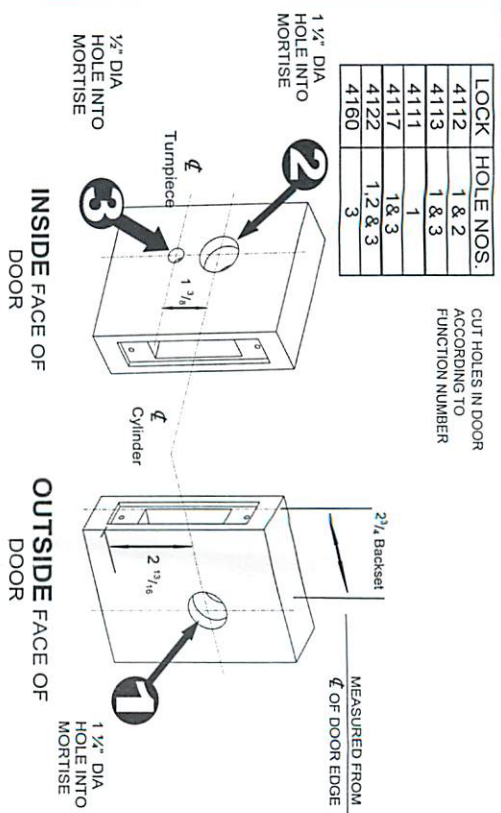
EXAMINE LOCKSET TO MAKE SURE IT IS THE CORRECT BEVEL FOR DOOR. IF NOT, LOOSEN SCREWS (FASTENING FRONT TO CASE), ROTATE FRONT TO PROPER BEVEL & RETIGHTEN SCREWS



B MORTISE FOR LOCK CASE AND FRONT AT CENTERLINE OF DOOR EDGE

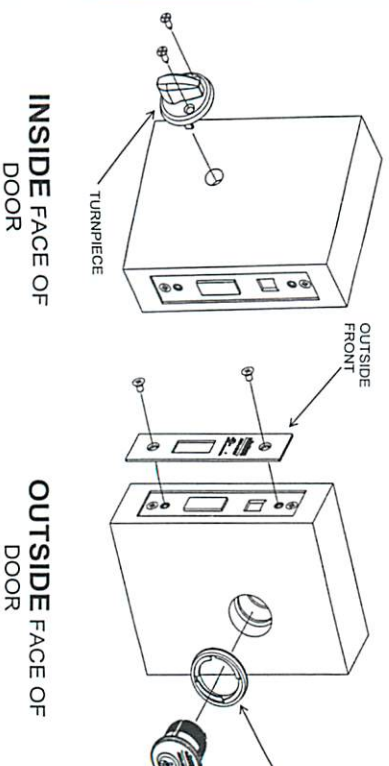
LOCK | HOLE NOS. | CUT HOLES IN DOOR ACCORDING TO FUNCTION NUMBER

4112	1 & 2
4113	1 & 3
4111	1
4117	1, 8 & 3
4122	1, 2 & 3
4160	3



C BORE REQUIRED HOLES FOR CYLINDER AND TURNPIECE AS INDICATED ON CHART

1. MOUNT LOCK AS SHOWN USING TWO COMBINATION SCREWS.
2. PLACE CYLINDER THRU CYLINDER COLLAR AND SCREW INTO LOCK. SLIGHTLY RETRACT KEY FROM CYLINDER TO ASSIST WITH THREADING CYLINDER. TIGHTEN APPROPRIATE SET SCREW INTO CYLINDER. ATTACH THUMBTURN AS SHOWN. FOR FUNCTION 4122, THUMBTURN MUST BE INVERTED
3. ATTACH OUTSIDE FRONT USING TWO 1/4" MACHINE SCREWS



D MORTISE JAMB FOR STRIKE

