

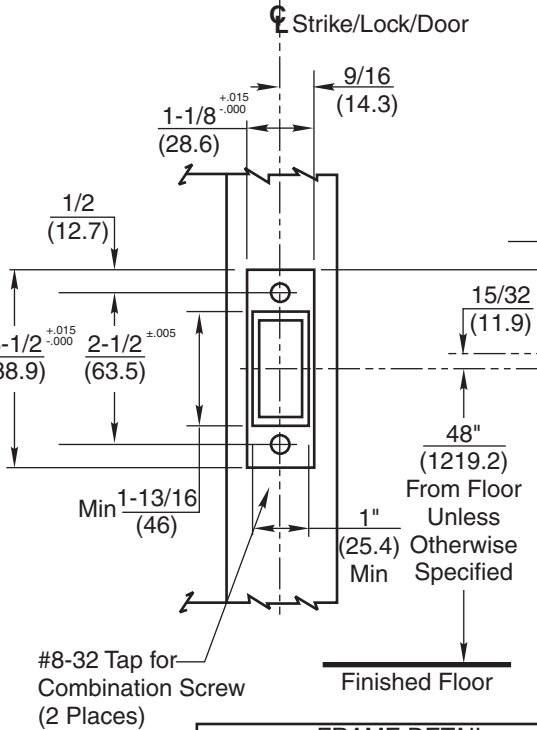
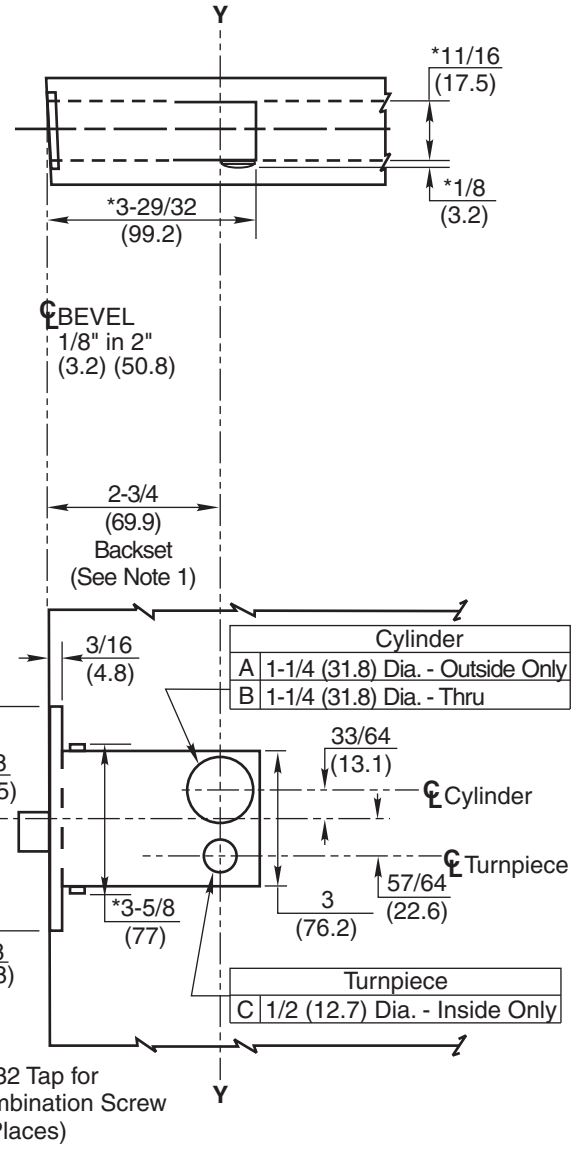
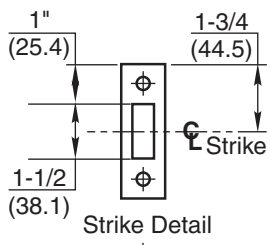
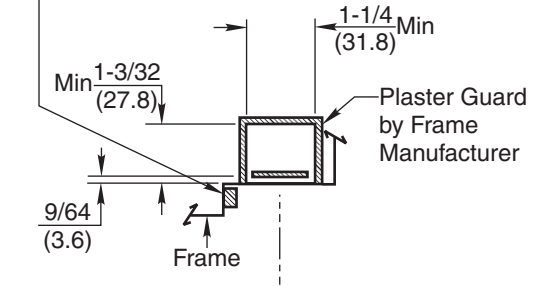
Notes:

1. Backset is measured from centerline of bevel which is centerpoint of door thickness.
2. (*) When preparing doors for lead wrapped locks, add 1/8" (3.2) to dimensions marked (*) to allow proper clearance.
3. Dimensions given in inches and (mm).
4. Frame prep meets ANSI standards A115.5 (steel) and A115.W8 (wood) for deadlock strikes.

| Template Cross Reference | |
|--------------------------|----------|
| Description | Template |
| 240L08 ANSI Strike | T30657 |

| Lock Function | Required Holes | | |
|-----------------|----------------|---|---|
| | A | B | C |
| DL4111 | ● | | |
| DL4112 | | ● | |
| DL4113 & DL4117 | ● | | ● |
| DL4122 | | ● | ● |
| DL4160 | | | ● |

CAUTION: DOOR AND FRAME MANUFACTURERS
 When door gasketing or silencers are used, proper allowances must be made for strike location to maintain a common centerline with lock and door as shown so that bolt will freely enter strike.



FRAME DETAIL
 Strike 796F34 (Regularly Furnished)
 Plastic Box 466F27 (Optional)

DOOR DETAIL

| TOLERANCES | |
|------------|--------|
| INCHES | (mm) |
| .005 | (.127) |
| .015 | (.381) |

RESPONSIBILITY
 DOOR AND FRAME MANUFACTURERS ARE RESPONSIBLE FOR PROVIDING ADEQUATE CONSTRUCTION OR REINFORCEMENTS FOR PROPER INSTALLATION OF HARDWARE SHOWN. ALL ARCHITECTURAL BUILDERS HARDWARE MUST BE INSTALLED ON PROPERLY REINFORCED DOORS AND FRAMES, REGARDLESS OF TYPE, MATERIAL, OR METHOD OF CONSTRUCTION.

DL4100 Series
Mortise Deadlock



| | |
|-----------------|----------------------|
| SUPERSEDES | DO NOT SCALE DRAWING |
| TEMPLATE NUMBER | DATE |
| T31189 | 02-11 |