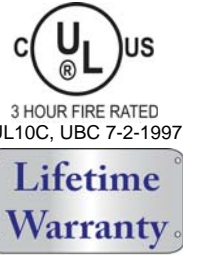




**BARRINGTON**  
QUALITY DESIGNED AND ENGINEERED  
FOR COMMERCIAL BUILDINGS



Exceeds BHMA/ ANSI A156.2 Series 4000, Grade 2 (FF-H-106C)

Button push in and turn button function

Knob cannot slip or pull off. Both kept in position by positive spring catch

Internal mechanism heavy gauge cold rolled steel. All parts are zinc plated and dichromated to assure protection from rust or corrosion. Special lubricant applied for smoother operation

Throw bolt affords a high degree of security. Standard with solid, rustless, pressure cast. #300 series antimagnetic stainless steel or brass latch bolt available with UL listed latch bolt for 3 hour rated door 4' x 8' or non UL latch bolt

Guard bolt dead locks latch bolt automatically

Latch case sturdy all steel mechanism

Snap-on inside rose conceals mounting plate and screws

Outside rose, threaded 3" diameter large rose adjustable for various door thickness

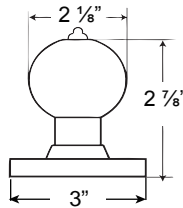
Cylindrical housing 2 1/8" diameter provides great strength and durability

Long spindle hub eliminates hub wobble

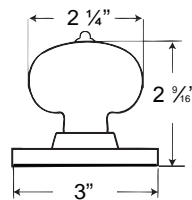
Solid Brass 6-pin "C" keyway Available with Interchangeable Core

Cylinder precision solid brass. Pick resistant 6-pin tumbler. Must turn key one-quarter to remove and replace cylinder. Can be construction keyed and master keyed as required

Cylinder knob demountable for quick rekeying and replacement: reversible for either left or right hand door swinging in or out



**BA DESIGN**



**PLG DESIGN**



**SPECIFICATIONS**

**DOOR RANGES**

1 3/8" to 1 3/4" thickness doors.

**BACKSET**

2 3/4" Standard, 2 3/8", 3 3/4" and 5" extension available.

**LATCH FACEPLATE**

2 1/4" x 1 1/8" for 2 3/4" backset, 2 1/4" x 1" for 2 3/8" backset.

**STRIKES**

ANSI strike standard, 4 7/8" x 1 1/4". Optional "T" and full lip strike available on request.

**KEYING**

6-pin "C" keyway cylinder, 2 keys per lock.

**EXPOSED TRIM**

Wrought brass, bronze or stainless steel.

**ADDITIONAL KEYWAYS**

6 pin solid brass "C" keyway standard. Schlage E, Schlage C-K, Russwin D1-2-3-4, Corbin 59/60, Corbin-Russwin L4, Sargent LA-LB-LC, Falcon/Weiser E, Arrow A, Yale 8, Yale GA and Kwikset. Can also accept Medeco, Assa, Kaba and Cal-Royal (HSK) High Security Cylinders.

**BORE DIAMETER**

1" for latch. 2 1/8" for lock housing.

**INTERCHANGEABLE CORE**

Interchangeable Core locks will accept compatible 6 or 7 pin cores with BEST, FALCON and ARROW. Prefix "IC" before part number. Available combined or uncombined. Temporary construction cores available. Factory keying with control key and masterkey available.

**ANSI STANDARDS**

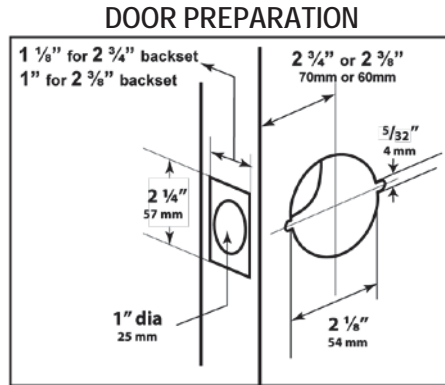
Meets or exceeds requirements of BHMA/ANSI A156.2 series 4000 for grade 2 (FF-H-106C).

# BARRINGTON BA SERIES FINISHES AND FUNCTIONS



FINISHES AVAILABLE		
BHMA SYMBOL	US CODE	DESCRIPTION
605	US3	Polished Brass
606	US4	Satin Brass
609	US5	Antique Brass
612	US10	Satin Bronze
613	US10B	Oil Rubbed Bronze
619	US15	Satin Nickel
625	US26	Polished Chrome
626	US26D	Satin Chrome
630	US32D	Satin Stainless Steel

Refer to price list for stock finishes and functions



**BA00**  
**ICBA00**  
 ANSI F109  
 FED#161A/160A

**ENTRANCE/OFFICE LOCK**  
 Turn/Push button locking. Pushing and turning button locks outside knob requiring use of key until button is manually unlocked. Pushing button locks outside knob until unlocked with key or inside knob is turned.

**BA01**  
**ICBA01**  
 ANSI F82  
 FED#161B/160B

**ENTRANCE/PUSH BUTTON LOCK**  
 Pushing button in inside knob locks outside knob. Turning inside knob or operating key in outside knob releases button automatically. Closing door does not release button. Latch bolt automatically deadlocks when door is closed.

**BA02**  
**ICBA02**  
 ANSI F91

**STORELOCK**  
 Deadlocking latch bolt operated by knob from either side, except when both knobs are locked by key in knob from either side.

**BA03**  
**ICBA03**  
 ANSI F84  
 FED#161R/160R

**CLASSROOM**  
 Deadlocking latch bolt operated by knob from either side except when outside knob is locked from outside by key. When outside knob is locked, latch bolt is operated by turning inside knob.

**BA04**  
**ICBA04**  
 ANSI F80  
 FED#161S/160S

**COMMUNICATING**  
 Deadlocking latch bolt operated by knob from either side. Turning key in either knob locks or unlocks its own knob independently.

**BA05**  
**ICBA05**  
 ANSI F86  
 FED#161D/160D

**STOREROOM**  
 Deadlocking latch bolt operated by key in outside knob or by rotating inside knob. Outside knob is always fixed.

**BA06**  
**ICBA06**  
 ANSI F88  
 FED#161C/160C

**VESTIBULE**  
 Deadlocking latch bolt operated by knob from either side except when outside knob is locked by key from inside. Latch bolt may be retracted by key in outside knob or by rotating inside knob.

**BA09**  
**ICBA09**  
 ANSI F87  
 FED#161W/160W

**INSTITUTION**  
 Deadlocking latch bolt operated by key in knob from either side. Both knobs always fixed.

**BA80**  
**ICBA80**

**EXIT LOCK / CONNECTING ROOM**  
 Deadlocking latch bolt operated with key from inside only. Blank plate outside.

**BA101**  
**ICBA101**  
 ANSI F90-2

**CORRIDOR LOCK / DORMITORY**  
 Deadlocking latch bolt operated by knob from either side except when outside knob is locked by key in outside knob or by push button in inside. Key in outside knob locks or unlocks outside knob. Rotating inside knob releases push button. Inside knob always operates.

**BA10**  
 ANSI F77  
 FED#161P/160P

**PATIO LOCK**  
 Deadlocking latch bolt operated by knob from either side. Outside knob is locked by push button inside and unlocked by rotating inside knob or closing door.

**BA20**  
 ANSI F76  
 FED#161L/160L

**PRIVACY LOCK**  
 Latch bolt operated by knob from either side. Outside knob is locked by push button inside and unlocked by emergency release outside. Turning inside knob or closing door releases push button.

**BA30**  
 ANSI F75  
 FED#161N/160N

**PASSAGE**  
 Latch bolt operated by knob from either side at all times.

**BA40**

**DUMMY TRIM**  
 Single dummy trim for one side of door. Pull only.

**BA50**  
 ANSI F89

**EXIT LATCH**  
 Deadlocking latch bolt by inside knob. Outside knob rigid.

**HOW TO ORDER:**  
 For "PLG" designs, replace design name.  
 Example: BA00 entrance in "PLG" is PLG00.

"IC" Indicates function available with BEST, FALCON & ARROW Interchangeable Core.

ALL OTHER FUNCTIONS NOT LISTED ARE AVAILABLE ON SPECIAL ORDER