

DICTATOR Door Closer V 1600

For smooth closing with adjustable hydraulics

DICTATOR hydraulic door closers have a progressive braking action, so they damp and slow the door down gently and smoothly, they pull the door into the latch firmly and keep the door closed reliably.

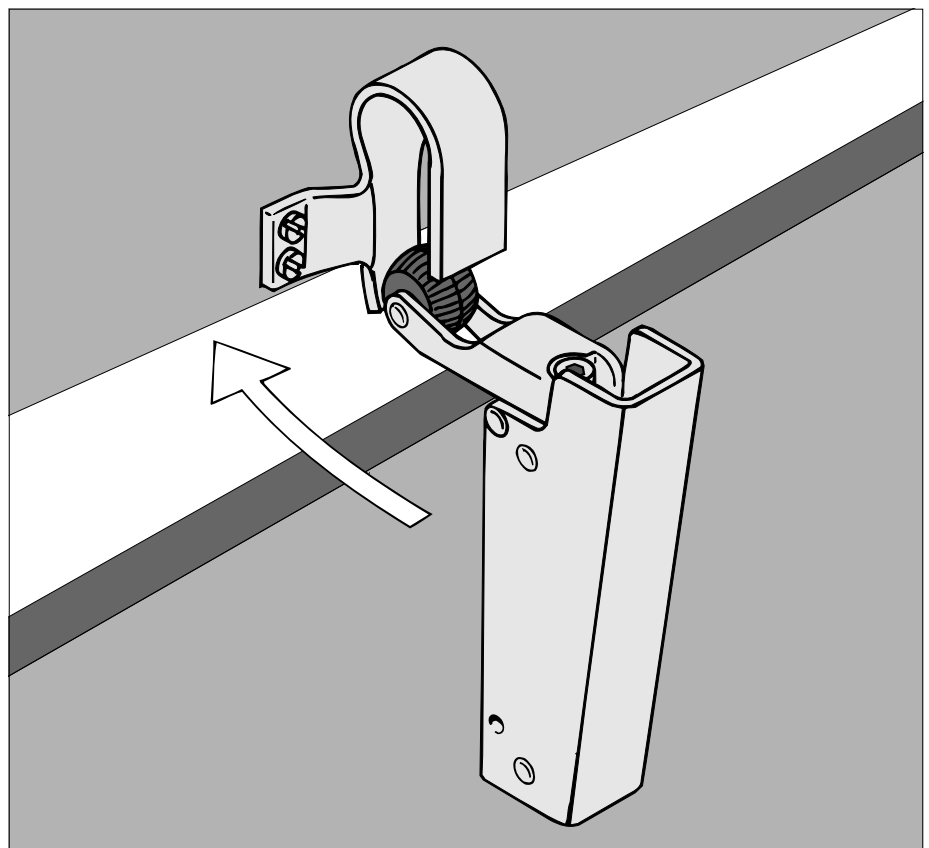
The type V 1600 looks small but its casing and cylinder are made of solid steel (no tube). They can even be used on large doors of Walk-In Coolers and Freezers.

The chrome plated case, concealed cylinder and invisible fixing combine to give an attractive design. It is also available in weather and humidity resistant stainless steel.

A special feature is the easy fixing. An integral patent mounting plate is screwed to the door and the body of the damper is simply hinged down and clipped into position.

The door closer is mounted on the face of the door and is suitable both for right- and left-hand doors, usually in about the middle of the upper edge of the door.

DICTATOR Door Dampers V1600 are classified as Miscellaneous Fire Door Accessories and our production continuously monitored by Underwriters Laboratories, Inc. (File No. R20417).



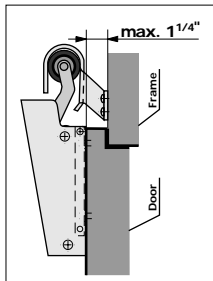
Technical data

Door types	overlapping, flush and recessed doors
Closing force	5 to 18 lbs (measured on the arm of the door closer)
Damping characteristics	progressive, adjustable
Damping medium	temperature independant silicone oil
Components of delivery	door closer, hook, screws
Material	steel or stainless steel
Finish	chrome, other finishes available on demand



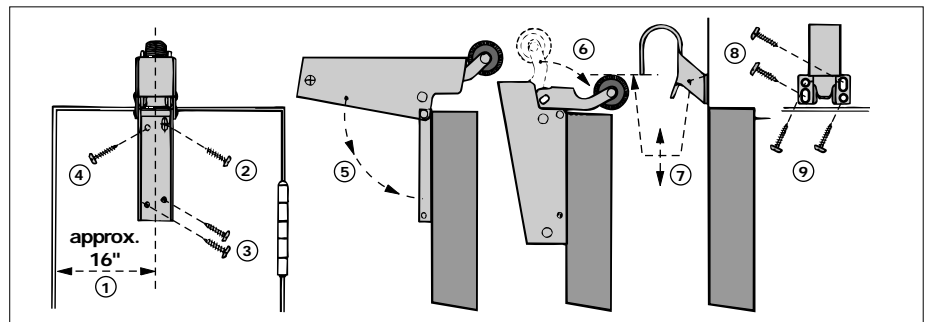
MPA

Mounting

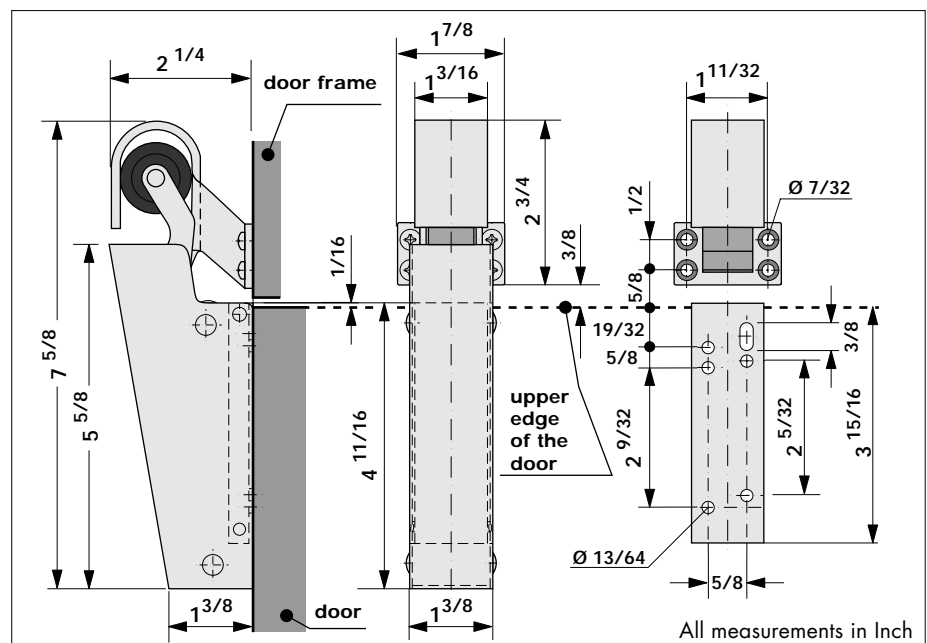


For mounting the hydraulic door closer V 1600 fold the mounting plate out of the case and mark the oblong hole on the door (approx. 16" from the lock side of the door). The upper edge of the mounting plate should overlap the upper edge of the door by about 1/16". Make sure that the mounting plate is in an accurate vertical position before screwing the plate to the door with all 4 screws. Now hinge down the body and clip it into position. The hook has to be mounted so that the rubber roller of the pushed down lever only touches the front edge of the hook when closing.

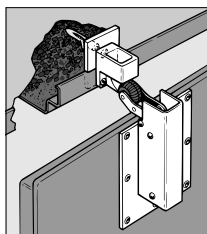
In case of overlapping doors (3/8" - 1 1/4") please use the hook model 1013 (part no. 205254), for recessed doors (3/8" - 3/4") use hook model 1011 (part no. 205271).



Dimensions



Order information



Hydraulic Door Closer V 1600 (satin chrome)	standard force	part no. 300 460
Hydraulic Door Closer V 1600 (polished chrome)	standard force	part no. 300 469
Hydraulic Door Closer V 1600 (stainless steel)	standard force	part no. 300 462
Hydraulic Door Closer V 1600 (satin chrome)	strong force	part no. 300 480
Hydraulic Door Closer V 1600 (polished chrome)	strong force	part no. 300 489
Hydraulic Door Closer V 1600 (stainless steel)	strong force	part no. 300 485
Hydraulic Door Closer V 1600	light force or finish in gold or color	please call

Accessories

Mounting plates for fire rated doors or thin steel doors see page 02.015.00