



SN SERIES PRODUCT SPECIFICATIONS

Narrow Stile Key Switch Controls



FEATURES

- MULLION STYLE, 1 11/16" 44mm WIDE
- PERFECT FOR ALUMINUM DOOR FRAMES
- ACCEPTS STANDARD MORTISE CYLINDERS, 15/16" TO 1-1/4"
- HEAVY DUTY AIRCRAFT GRADE ALUMINUM FACE PLATE
- FACEPLATE DESIGN ASSURES FLUSH MOUNTING
- STEEL LOCATORS PREVENT CYLINDER FROM ROTATIONAL MOVEMENT
- DETENT DESIGN THREAD LOCKING RING INCORPORATED WITH MANUAL ENGAGED LOCK WASHER MAINTAINS POSITIVE CYLINDER MOUNTING
- SAFETY EDGE DESIGN FACEPLATE
- TORX TAMPER PROOF SCREWS PROVIDED
- UL APPROVED SWITCHES
- 1 OR 2 SWITCHES MAY BE INSTALLED
- LEFT, RIGHT OR BI-DIRECTIONAL SWITCH OPERATIONS
- WIDE RANGE OF SWITCH CONFIGURATIONS
- ALL STEEL SWITCH PLUNGER
- COLOR CODED 20 AWG SOLDERED LEADS
- HEAT SHRINK PROTECTIVE SLEEVES AT SWITCH HOUSING AND WIRE CONNECTIONS
- CENTER RESTRICTIVE STEEL PIN PROTECTS SWITCH FROM CAM ROTATIONAL DAMAGE
- BHMA FINISHES AND OPTIONAL LED INDICATORS
- OPTIONAL 1-60 SECOND PNEUMATIC TIME DELAY
- MULTIPLE VANDAL RESISTENT FEATURES
- FAST & EASY TO INSTALL

DESCRIPTION

The NS Key Switch Control Series: Single Gang, faceplate 1 11/16" (44mm) wide for gang box installation or surface mounting applications.

This Series design is for use with industries standard 15/16", 1", 1-1/8" or 1-1/4" mortise cylinders with various cam configurations (The mortise cylinder is not included, but is available from ETI Products).

The Key Switch Assemble can be supplied with one (1) or two (2) prewired heavy duty switches.

The Faceplate is fabricated from heavy duty aircraft grade aluminum with all round edges, corners and concave design for durable flush mounting and safety. Two architectural finishes are available standard to match the variety of application or specifications into today's market.

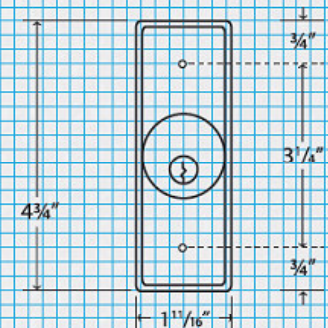
Included in this design are the additional features of heavy gauge all

steel cylinder mounting frame, which include a faceplate index guide, cam rotation pin block, cylinder locators for anti-rotation, double layer cylinder support frame that incorporates a platform which indexes a secure mounting for the unique all steel plunger switch(s).

For security, the cylinder mounting has an all brass detent cylinder lock ring with a special designed index lock washer (patent pending) to maintain cylinder position in the highest of usage environments. The faceplate for assured anti-vandal performance is supplied with (2) stainless steel security torx screws.

ETI Key Switches, Performance by design can be supplied in numerous Switch, Finish and LED configurations for real world security control pertaining to any facilities specifications.

Narrow Stile Faceplate



Narrow Stile Faceplate

APPLICATION

NS Series Key Switch Controls will control overhead doors, electric locks, electro-magnetic locks, electric strikes and motors. They are also used for automatic doors, shunting, by passing, timed functions, activating and deactivating CCTV and access control equipment and other applications. They are designed for high frequency use and will accept a broad range of mortise cylinders.