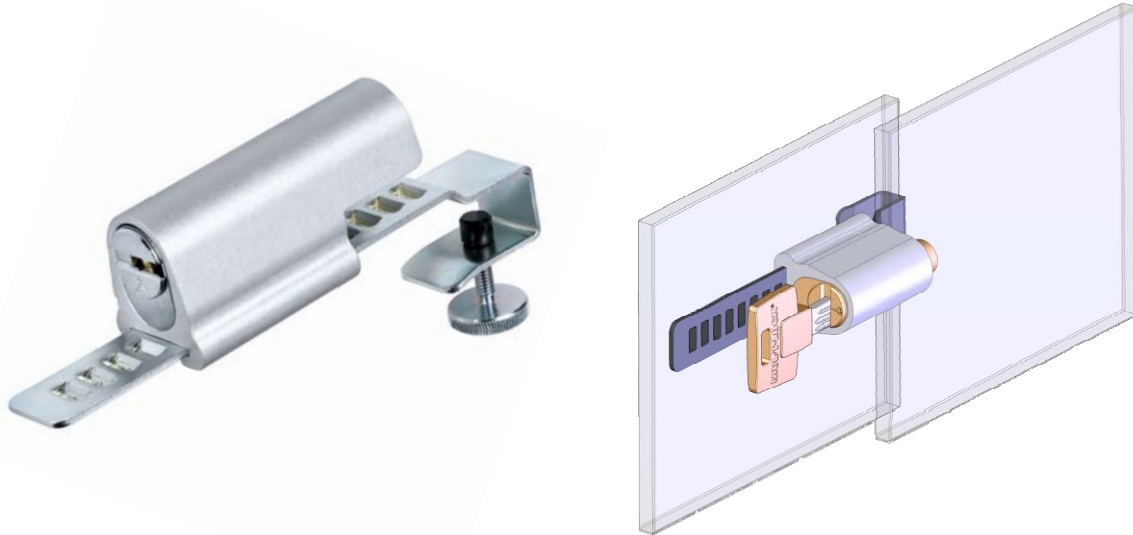


Sliding Door Showcase Lock

By expanding our ever-growing product range to include the Sliding Door Showcase Lock, Mul-T-Lock has given new meaning to our motto, "One Key...Endless Possibilities." Surprisingly, the need for high security on sliding door cabinets and showcases, which secure jewelry, electronics, pharmaceuticals, and other highly valuable items is often overlooked. Choosing Mul-T-Lock's Sliding Door Showcase Lock to protect these areas ensures superior mechanical security, ultimate key control, and the convenient ability to integrate this product into any Mul-T-Lock keyed or master keyed system.



Two models available: one for doors up to 8 mm in thickness (with affixing screw) and one for doors up to 7 mm in thickness (without affixing screw—sits on bottom of showcase doors).

Applications: Ideal for cabinets and showcases where two sliding surfaces need locking:

- Medical and pharmaceutical cabinets
- Retailer showcases (jewelry, electronics, etc.)
- Furniture (home and office credenzas)
- Lab and museum showcase cabinets

Specifications:

- **Materials:** Cylinder - high quality brass and steel / Housing - high quality aluminum alloy
- **Mechanism:** Mul-T-Lock's high precision 10 telescopic pin tumbler system
- **Operation:** 90° key rotation by operating key, self-locking latch
- **Standards:** Drill and pick resistant
- **Warranties:** Limited lifetime mechanical warranty

Options:

- **Key Security:** Interactive® (patented), Classic
- **Key Type:** Nylon head, metal head
- **Product Options:** For 8 mm door thickness with affixing screw or 7 mm thickness without screw
- **Keying Variations:** D (keyed different), A (keyed alike), M (master keyed), S (sub-assembled)



Mul-T-Lock USA, Inc.

100 Commerce Way, Suite 2, Hackensack NJ 07601

Toll Free: (800) MULTLOCK Fax: (973) 778-4007 web: www.mul-t-lockusa.com

An ASSA ABLOY Group brand

ASSA ABLOY

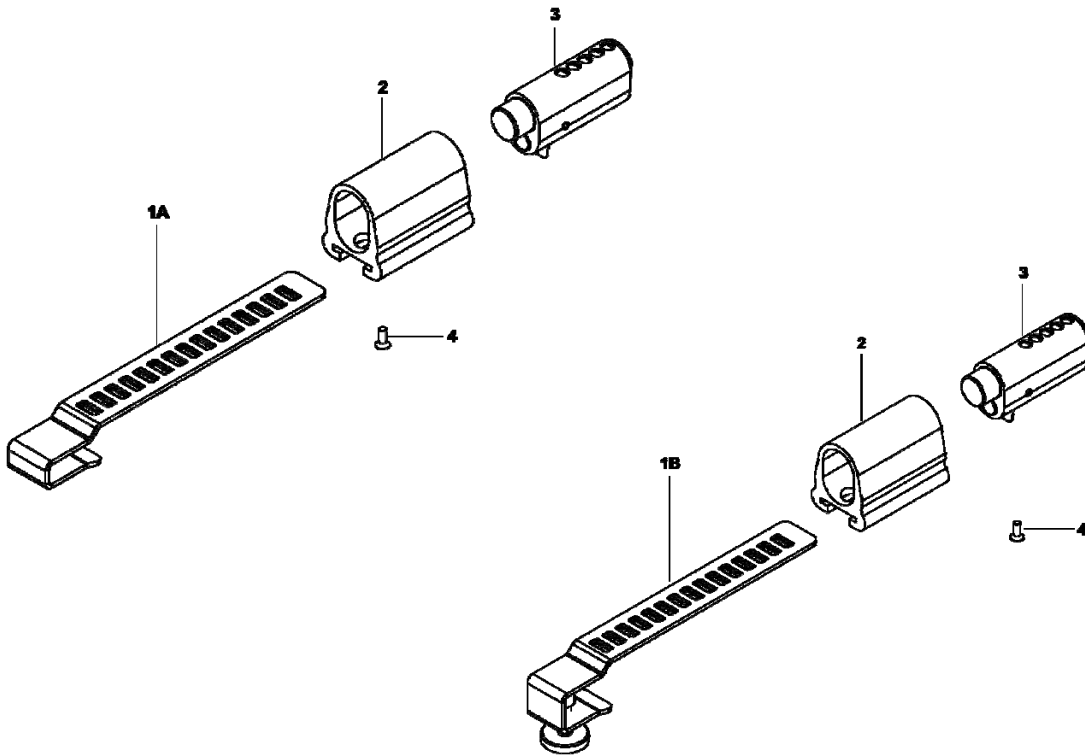
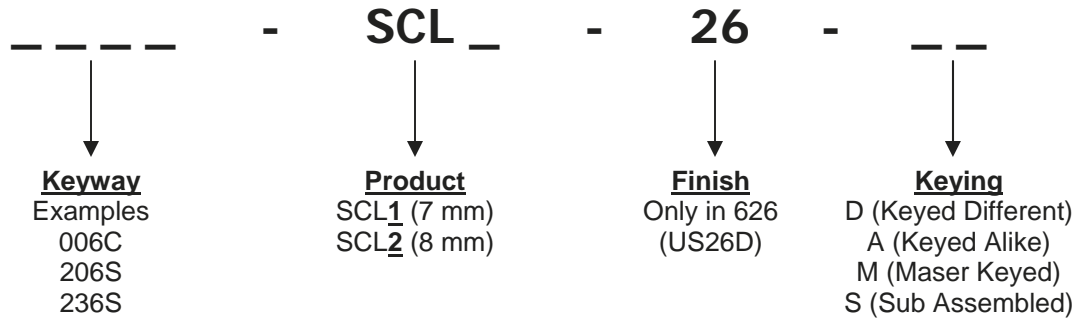


PRODUCT

NEWS

Dealer Information

Part



#	Part No.	Description
1A	PLK-SCL1-BAR	Locking Bar for Sliding Door Showcase Lock (SCL1) Without Screw
1B	PLK-SCL2-BAR	Locking Bar for Sliding Door Showcase Lock (SCL2) With Screw
2	XXX-SCL-XX	Cylinder Body for Sliding Door Showcase Lock Cylinder
3	KWPG-SCL-XX	Cylinder Plug for Sliding Door Showcase Lock
4	PCY-SCL-SCR	Locking Screw for Sliding Door Showcase Lock



The Mul-T-Lock name and Muscleman Logo, and any other name, mark, or logo used by Mul-T-Lock and marked by an © or ™ sign are registered/pending trademarks of Mul-T-Lock Ltd. in various countries. Mul-T-Lock reserves the right to make any product improvements or modifications without prior notice.