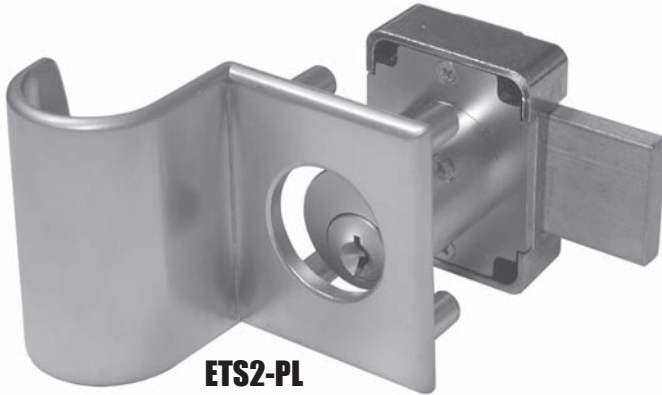


# Product

## ETS2-PL Series

*Cabinet Pull for use with Olympus  
Small Pin 7/8" Diameter Cabinet Locks*

**NEW**

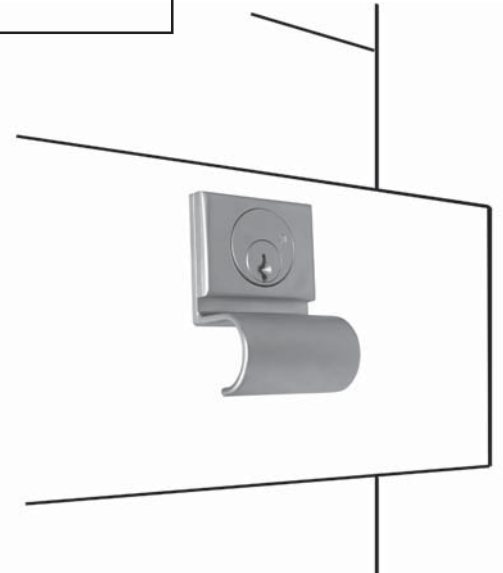


*The ETS2-PL cabinet pull mounts on the face of the cabinet and provides through-bolt mounting of the cabinet lock and pull in a single unit. This product provides added security and flexibility to our line of door and drawer cabinet locks. These items can be used in combination or separately to achieve a variety of configurations.*



### **ETS2-PL**

**FOR 7/8" DIAMETER LOCK NOS.  
100, 200, 500, 600**



**OLYMPUS**  
**LOCK, INC.**  
*The cabinet lock innovators.*

18424 Highway 99 • Lynnwood, WA 98037  
Phone 206-362-3290 • Toll-free 800-525-0954 • Fax 206-362-3569  
www.olympus-lock.com • info@olympus-lock.com

# ETS2-PL SERIES

## *Cabinet Pull for use with Olympus Small Pin 7/8" Diameter Cabinet Locks*

### General Specifications

#### **ETS2-PL - Cabinet pull**

- The ETS2-PL cabinet pull is mounted on the face of the cabinet and provides through-bolt mounting of the cabinet lock and pull in a single unit
- Does not require use of ETS2 reinforcing trim spacer
- 1/8" thickness
- Works for both door or drawer applications
- If mounted "pull down" in drawer applications, the pull will protect the face of the cabinet from the wear and tear of hanging keys
- Works with existing ETST2 trim spacer templates
- Available in US3 and US26D finishes
- For 7/8" diameter lock nos.: 100, 200, 500, 600

#### **ETST2- Template for reinforcing trim spacer**

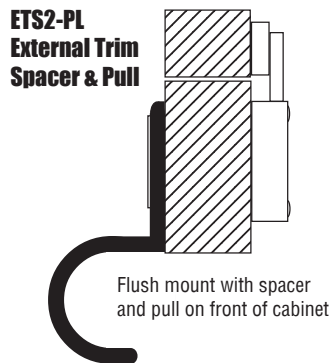
- Allows for proper mounting hole placement of ETS2-PL cabinet pull
- Can be used as a 1/8" shim spacer
- Available in US3 and US26D finishes

#### **For Olympus locks 100, 200, 500, 600**

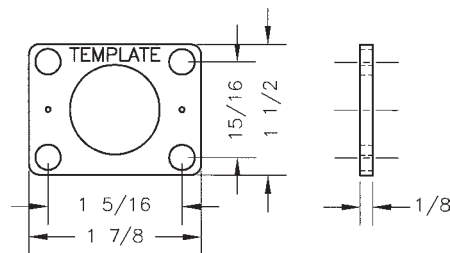
- ETS2-PL - Cabinet pull
- ETS2-125 - 1/8" thick trim spacer
- ETS2-250 - 1/4" thick trim spacer
- ETST2 - Trim spacer template

### *ETS2 Cabinet Pull*

Below illustrations do not represent all possible configurations.



### **ETST2 - Template**



It is recommended that you use the ETST2 template for proper placement and drilling of mounting holes prior to installation.