

## DCN

## Reversible Cam Lock



U.S. Patent Nos.  
5,038,589; 5,737,950

### General features:

- Easily rekeyable via cylinder retainer clip
- Pin tumbler cylinder drilled for 5 pin
- 2 reversible cams work in all locking positions
- 1" face covers splintering - no additional trim ring required
- 26D or US3 finish
- Keyed alike, keyed different or master keyed—custom keying available
- Packed 10 per box

### Includes:

- DCNP-500-ARP stabilizer plate
- DCNP-100-SC straight cam
- DCNP-100-BC offset cam
- DCNP-200-OCD lost motion cam shifter

### Available Separately:

- DCNP-200-KR key retaining drawer cam shifter
- DCNP-200-KDR key retaining door cam shifter
- DCNP-100-LC long 3" straight cam
- DCNP-100-LBC long offset cam

### DCN1-4 features:

- National D4291 keyway
- Nickel plated keys / keyblanks
- KD/KA - 4 pin standard
- KA# 101, 103, 107, 915
- Master keyed - 5 pin standard

Installation notes: Page 7

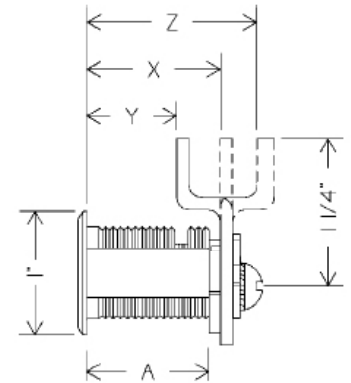
Rekeying instructions: #2, Page 4

Architectural specifications:

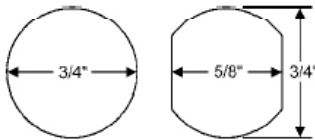
For DCN1-4 • #C, Page 5

### DCN cam lock dimensions:

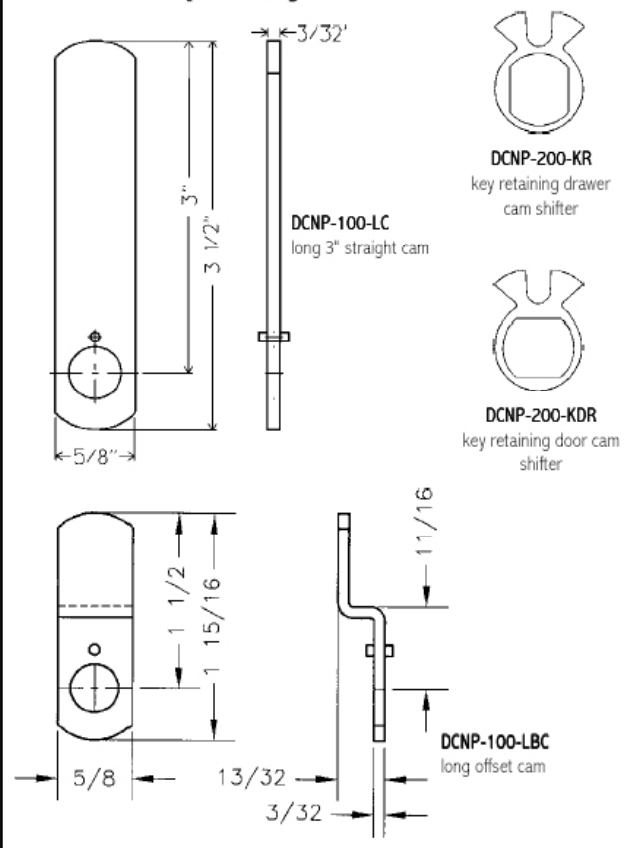
	For Mat. Thickness	Straight Cam (X)	Inbent Cam (Y)	Outbent Cam (Z)	Cylinder Length (A)
DCN1	3/4"	1-1/16"	3/4"	1-3/8"	1"
DCN2	7/8"	1-3/16"	7/8"	1-1/2"	1-1/8"
DCN3	1-1/8"	1-7/16"	1-1/8"	1-3/4"	1-3/8"
DCN4	1-1/2"	1-13/16"	1-1/2"	2-1/8"	1-3/4"



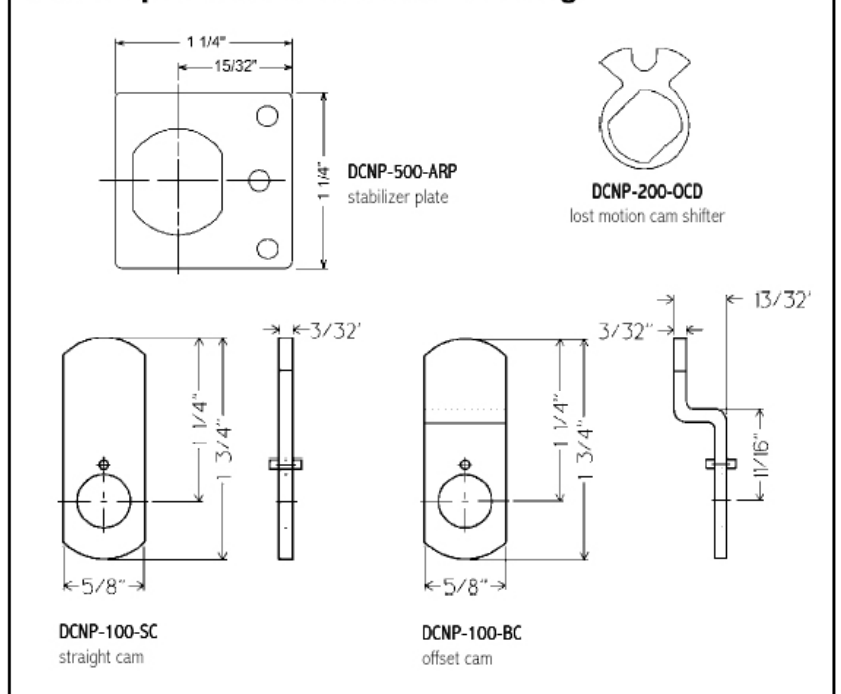
Mounting cutout:



### Available separately:



### DCN ships standard with the following:



[www.mrlock.com](http://www.mrlock.com)  
Images are not to scale